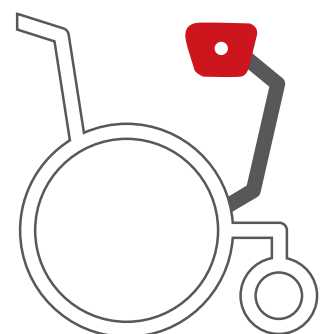




Wheelchair Mounts

Independent communication for each stage of the day – this is our mission. Mounting AAC devices the right way is crucial to respond to customers needs. Rehadapt offers out-of-the-box and yet flexible solutions for most wheelchairs.



Wheelchair Mounts

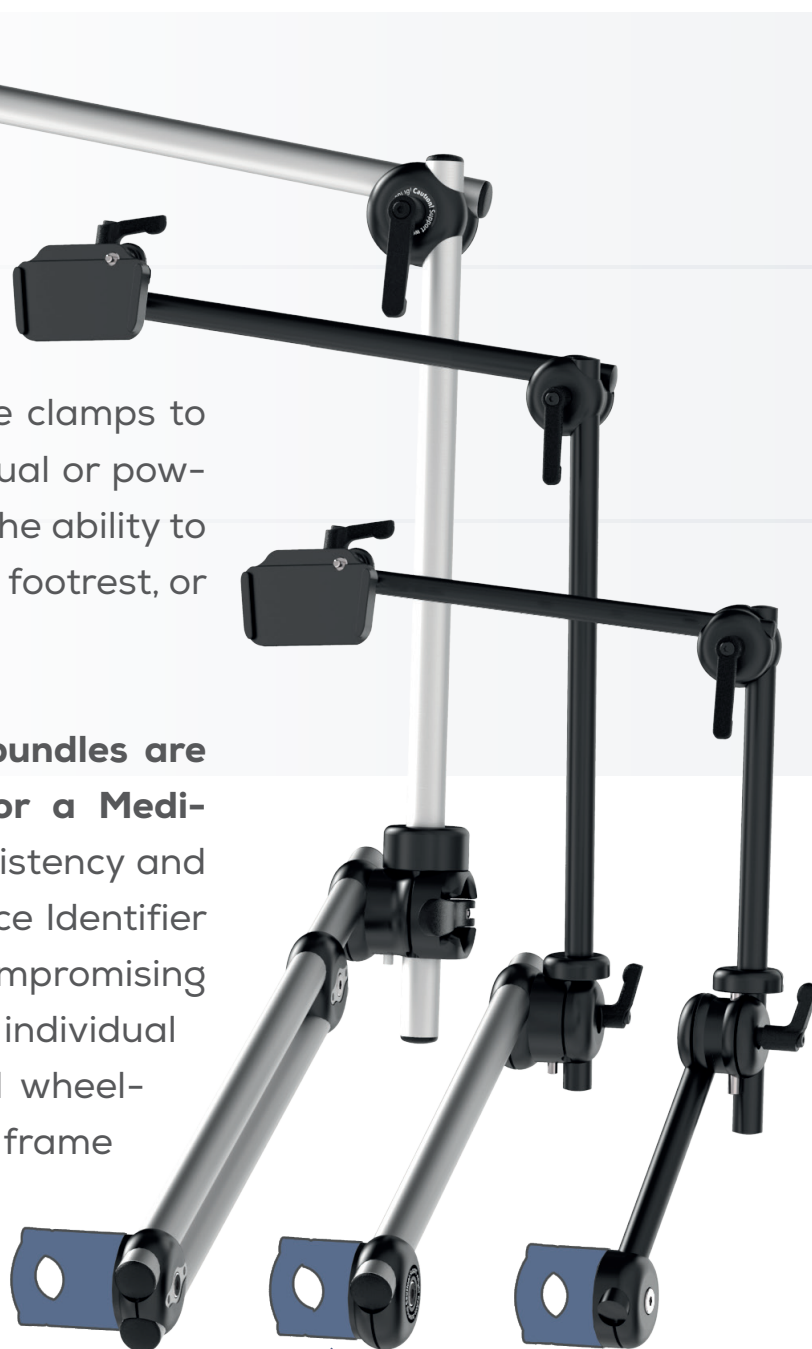
Mounting systems

There are many types of wheelchairs, some with significant differences between them. Regardless of the wheelchair, we will mount your communication device, switch or control so that it is secured and perfectly positioned for the beneficiary to use! Our system is easy to use and quick to adjust, even without tools. Learn more about our different mounting systems "Monty 3D", "Hybrid 3D", "Light 3D" and their bundles.

Frame clamps

We offer a huge range of base clamps to secure our mounts to any manual or powered wheelchair. So you have the ability to clamp onto any frame, armrest, footrest, or underneath the seat.

Readapt wheelchair mount bundles are following the requirements for a Medical Device and must have consistency and be labelled with a Unique Device Identifier (UDI). To achieve this without compromising the needed flexibility to meet individual client demands, we separated wheelchair mount bundles from frame clamps. Please do not forget to order your frame clamp in addition to the wheelchair mount.



More about frame clamps
in our component section

Bundles

For the sake of standardization as a Medical Device and simplification, some bundles include more parts than actually needed - a choice of tubes of varying length and both lever and bolt variations. Similarly, when delivering "Quick-Shift" levers for toolless operation, we also deliver the corresponding Allen screws - in case setups need to be secured. The additional tubes and parts provide more flexibility when assembling the mount.



for devices up to

3 / 6 kg*

6 / 13 lbs*

*with M3D Plus

Monty 3D

Outstanding mechanical properties
for most wheelchair solutions.



for devices up to

1,8 kg

4 lbs

Hybrid 3D

Economically combining L3D-light-
weight and the M3D-sturdiness.



for devices up to

1,2 kg

2,6 lbs

Light 3D

Lean and sleek design while still pro-
viding the core values of Rehadapt.



STANDARD

Three-tube solutions
for most common
situations.



"PLUS"

Longer arm with double
tube option for more load
capacity at longer distance.



"TT"

Minimized two-tube
setup for children's
and sports chairs.



CURVED

Extra offset to position
the device at a
distance.

Wheelchair Mounts



STANDARD

Our standard wheelchair mounts are composed of three aluminum alloy tubes. They provide you with multiple options so that you can find one that fits your needs, aac device and your wheelchair.

M3D

Monty 3D (M3D) wheelchair standard mounts include a Universal Device Socket (UDS), 3D adjustable joints three tubes with lengths of 200 mm (8"), 500 mm (20") and 400 mm (16"). Maximum load capacity of 3,0 kg (6,6 lbs).



Monty 3D
11.3100

- ✓ simple swivel unit



Monty 3D QuickShift
11.3211

- ✓ lockable swivel unit
- ✓ QuickShift levers



Monty 3D QuickShift Sturdy
11.3311

- ✓ lockable swivel unit
- ✓ QuickShift levers
- ✓ RotLock base for extra stability (e.g. mounting on the left side)

Accessories



Slip-out safeguards and restraining caps

Prevent tubes to unintentionally slide through the joints.

M3D: 01.5500, **L3D16:** 01.5994, **L3D10:** 01.5993



Set of cable clips

Keep cables organized along tubes with 5 clips.

M3D: 11.0122, **L3D:** 14.0116

More information in the "tube" section.

H3D

Hybrid 3D (H3D) wheelchair standard mounts include a Swivel unit, QuickShift joints and a Universal Device Socket (UDS) or a Spigot Link System (SLS) connection. Max. load capacity: 1.8 kg (4.0 lbs).

Hybrid 3D Short UDS 13.3211

- ✓ short range
- ✓ UDS connection

Hybrid 3D Short SLS 13.3215

- ✓ short range
- ✓ SLS connection



Hybrid 3D Long UDS 13.4211

- ✓ long range
- ✓ UDS connection

Hybrid 3D Long SLS 13.4215

- ✓ long range
- ✓ SLS connection

Tube lengths of short variants: 300 mm (12"), 400 mm (16"), 300 mm (12").
Tube lengths of long variants: 500 mm (20"), 400 mm (16"), 400 mm (16").

L3D

Light 3D (L3D) three-tube wheelchair standard mounts include a Universal Device Socket (UDS), a swivel unit and QuickShift joints. Max. load capacity: 1.2 kg (2.6 lbs).

Light 3D QuickShift UDS 14.3211

- ✓ UDS connection
- ✓ tube lengths:
250 mm (10")
400 mm (16")
300 mm (12")



Light 3D QuickShift SLS 14.3215

- ✓ SLS connection
- ✓ tube lengths:
250 mm (10")
350 mm (14")
250 mm (10")

Wheelchair Mounts



"PLUS"

Our "Plus" mounts have longer tubes for precise positioning which enables you to communicate more efficiently and freely. The mounts are available in two versions for AAC devices with up to 6 kg (13,2 lbs).

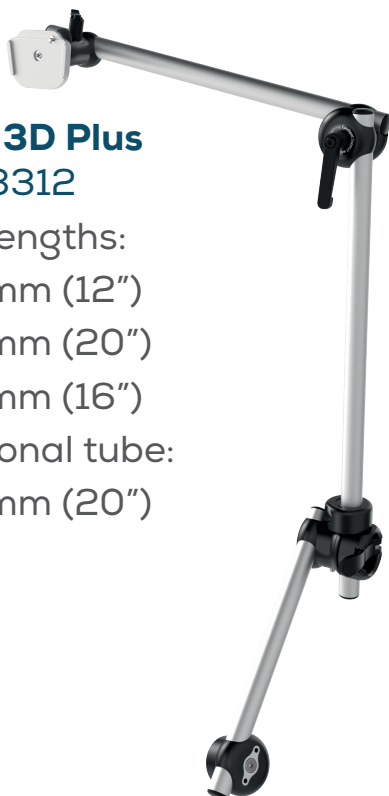


M3D

Monty 3D (M3D) wheelchair "Plus" mounts are ideal for eye-tracking devices. Universal Device Socket with Double clamp (UDS DC) and additional tube included. Max. load capacity: 6.0 kg (13.2 lbs).

Monty 3D Plus 11.3312

- ✓ tube lengths:
300 mm (12")
500 mm (20")
400 mm (16")
- ✓ additional tube:
500 mm (20")



Monty 3D Plus HD 11.4312

- ✓ tube lengths:
500 mm (20")
500 mm (20")
400 mm (16")
- ✓ additional tube:
300 mm (12")
- ✓ the longest reach
and the highest
stability through
double-tube





"TT"

The short wheelchair two-tube mounts are smaller in size and very sturdy. They are suitable for chairs with mounting positions directly at the front side, such as some kids' or activity chairs. The short mounts are also ideal if you need a practical transport solution.

M3D

Monty 3D (M3D) "TT" wheelchair mounts with two-tubes, base with swivel function, QuickShift levers on all components and Universal Device Socket with double clamp (UDS DC). Max. load capacity: 3.0 kg (6.6 lbs).



Monty 3D TT 11.2211

- ✓ tube lengths:
400 mm (16")
300 mm (12")

Monty 3D TT Plus 11.2312

- ✓ tube lengths:
500 mm (20")
500 mm (20")
- ✓ additional tube:
300 mm (12")
- ✓ RotLock base
for extra stability
(e.g. mounting on
the left side)
- ✓ UDS DC

L3D

Light 3D (L3D) two-tube wheelchair mounts include a Universal Device Socket (UDS) or Spigot Link System (SLS) connection, a base with swivel function and QuickShift joints. Max. load capacity: 1,2 kg (2,6 lbs).



Light 3D TT UDS 14.2211

- ✓ UDS connection
- ✓ tube lengths:
400 mm (16")
300 mm (12")

Light 3D TT SLS 14.2015

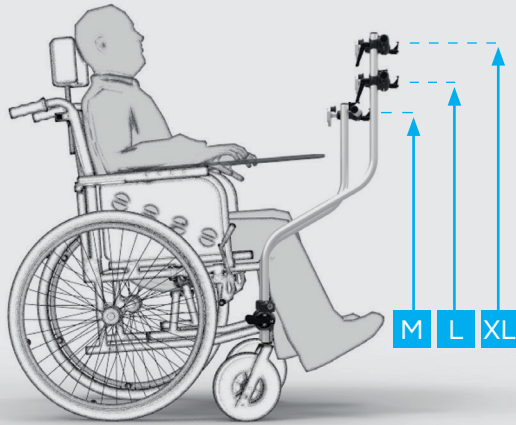
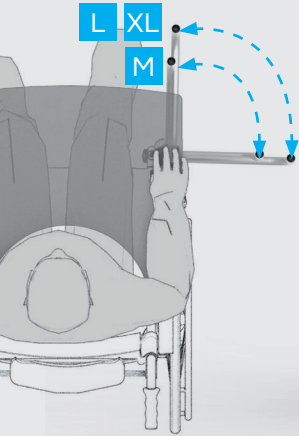
- ✓ SLS connection
- ✓ tube lengths:
250 mm (10")
300 mm (12")

Wheelchair Mounts



CURVED

Curved tubes in three sizes for extra offset from the mount attachment point without additional joints. Recommended when the need for an offset is rigidly defined (e.g. when using a traytable or with some eyetrackers).



Our curved wheelchair mounts are available in three different sizes, giving you the offset that suits you the best, without any additional joints. QuickShift joints and RotLock base with swivel function are included. Max. load capacity: 3.0 kg (6.6 lbs).

Monty 3D Curved M 11.5311

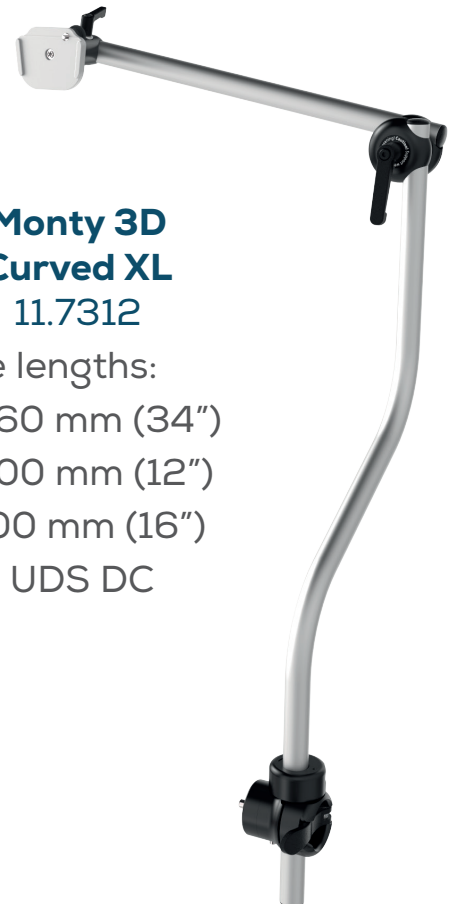
- ✓ tube lengths:
H 660 mm (26")
O 230 mm (9")
T 400 mm (16")
- ✓ with UDS QS

Monty 3D Curved L 11.6312

- ✓ tube lengths:
H 760 mm (30")
O 300 mm (12")
T 400 mm (16")
- ✓ with UDS DC

Monty 3D Curved XL 11.7312

- ✓ tube lengths:
H 860 mm (34")
O 300 mm (12")
T 400 mm (16")
- ✓ with UDS DC



H: height of the curved tube, **O:** offset,
T: length of the second tube