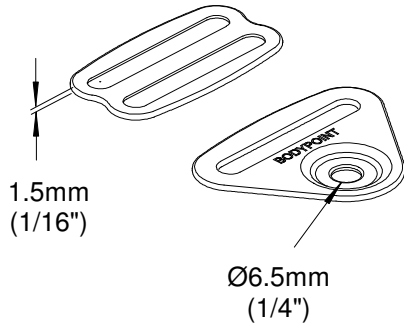


**Bodypoint
Hardware**

**Part
Numbers**

Mounting Options

**Flat-Mount™
End-Fitting**

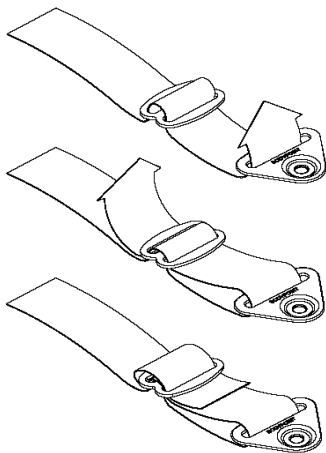


- HKA1-R** 25mm (1")
- HKA1-G** 38mm (1-1/2")
- HKA1-B** 50mm (2")

Direct Mounting - Tube



Direct Mounting - Solid Surface



FrameSaver™ Clamp



Slotted Rail with HKA6



Material:

Heat-treated steel,
chrome or nickel plated

Mounting screws not included.
Screws must have minimum pullout
strength of 90kg (200lbs).

Typical Breaking Strength:

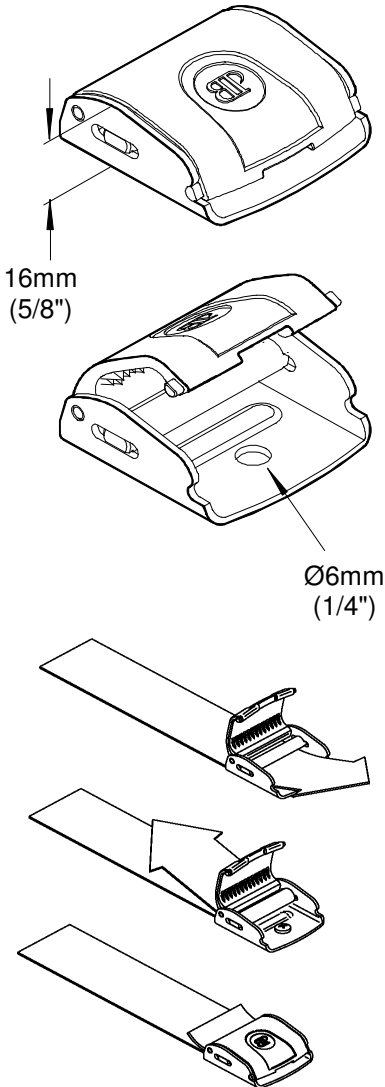
> 283kg-f (625lb-f)

**Bodypoint
Hardware**

**Part
Numbers**

Mounting Options

**Cinch-Mount™
End-Fitting**



HKA2-R 25mm (1")
HKA2-G 38mm (1-1/2")
HKA2-B 50mm (2")

Direct Mounting - Tube



Direct Mounting - Solid Surface



FrameSaver™ Clamp



Slotted Rail with HKA6



Material:

Chrome plated steel,
nickel plated pins,
plastic

Mounting screws not included.
Screws must have minimum pullout
strength of 90kg-f (200lb-f).

Typical Breaking Strength:

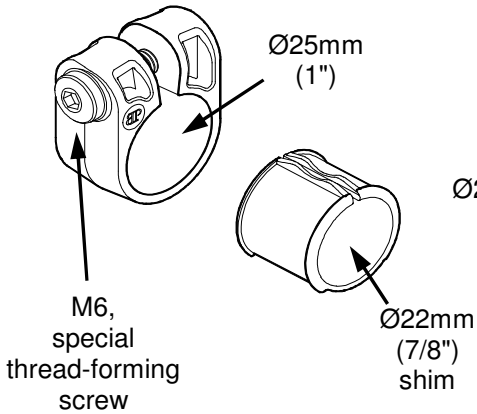
25mm (1") 453kg-f (1000lb-f)
38mm (1-1/2") 794kg-f (1750lb-f)
50mm (2") 521kg-f (1150lb-f)

**Bodypoint
Hardware**

**Part
Numbers**

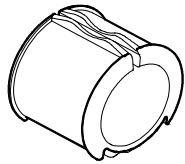
Mounting Options

FrameSaver™ Clamp



HW303-B
Ø22mm (7/8") & 25mm (1")

25mm (1") Tube



Optional Ø19mm (3/4") shim

HW303-19SHIM

With Cinch-Mount™ End-Fitting



For manual chairs with
Ø19, 22, 25mm (3/4", 7/8" or 1")
round tubing

Material:

Nylon,
zinc-plated screw

Tools:

4mm (5/32") hex key
(2012 current version)

#2 Phillips screwdriver
(2003-2011 version)

With Flat-Mount™ End-Fitting



Typical Breaking Strength:

567kg-f (1,250lb-f)

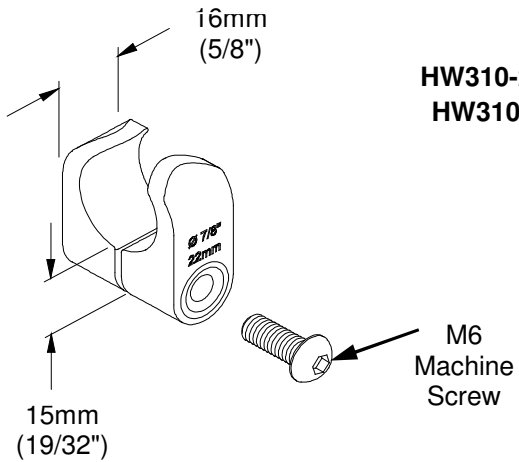
**Bodypoint
Hardware**

**Part
Numbers**

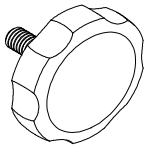
Mounting Options

Frame Clamp

Under upholstery strip with Cinch-Mount™ End-Fitting

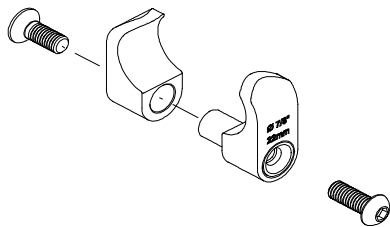
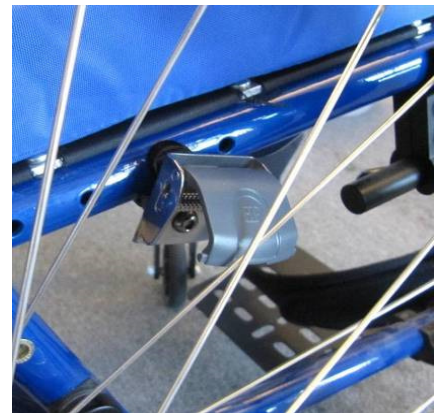


HW310-22-A 22mm (7/8")
HW310-25-A 25mm (1")



Optional Knob

FA812-BP



For manual chairs with
Ø22 or 25mm (7/8" or 1")
round tubing

Material:

Anodized aluminum,
stainless steel screws

Tools:

4mm (5/32") hex key

Typical Breaking Strength:

362kg-f (800lb-f)

Shower Chair Applications



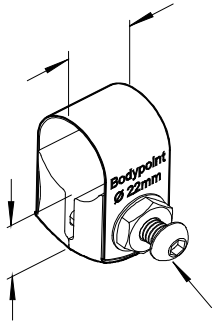
**Bodypoint
Hardware**

**Part
Numbers**

Mounting Options

Band Clamp

19mm
(3/4")



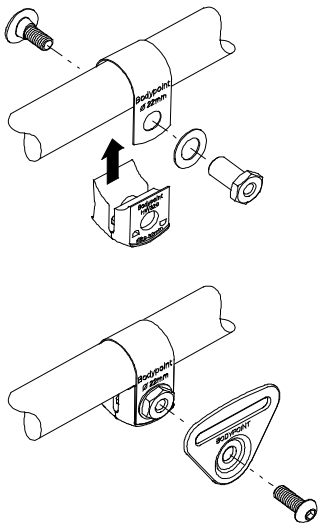
- HW320-22** 22mm (7/8")
- HW320-25** 25mm (1")
- HW320-29** 29mm (1-5/32")
- HW320-30** 30mm (1-3/16")
- HW320-32** 32mm (1-1/4")
- HW320-27X33**
27mm X 33mm OVAL
(5/64" X 5/16")

Under upholstery strips



19mm
(3/4")

M6
Machine
Screw



For manual chairs with
Ø22, 25, 32mm (7/8", 1", 1-1/4")
round tubing

Material:

High-strength stainless steel,
plastic

Tools:

13mm wrench
& 4mm (5/32") hex key

Typical Breaking Strength:

1270kg-f (2800lb-f)

With Evoflex® Hip Belt
(using Evoflex® mounting hardware)



Shower Chair Applications



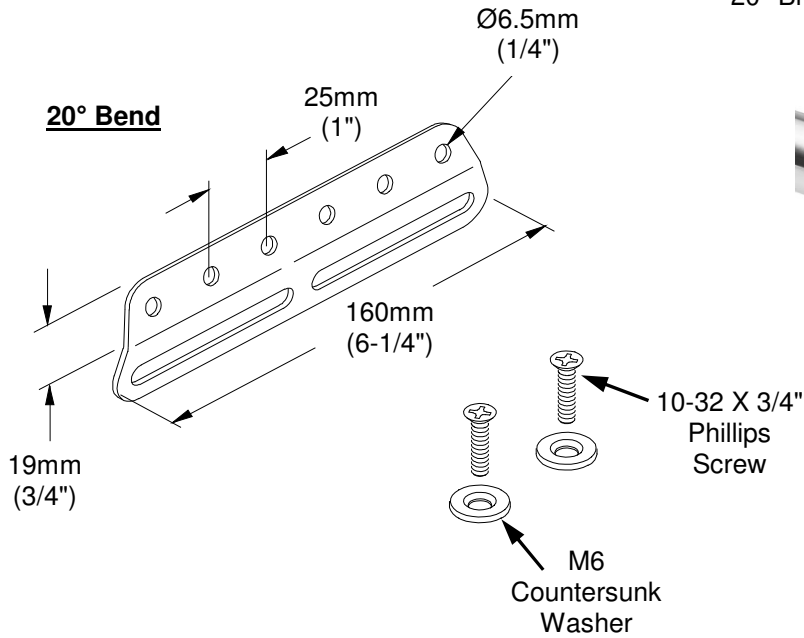
**Bodypoint
Hardware**

**Part
Numbers**

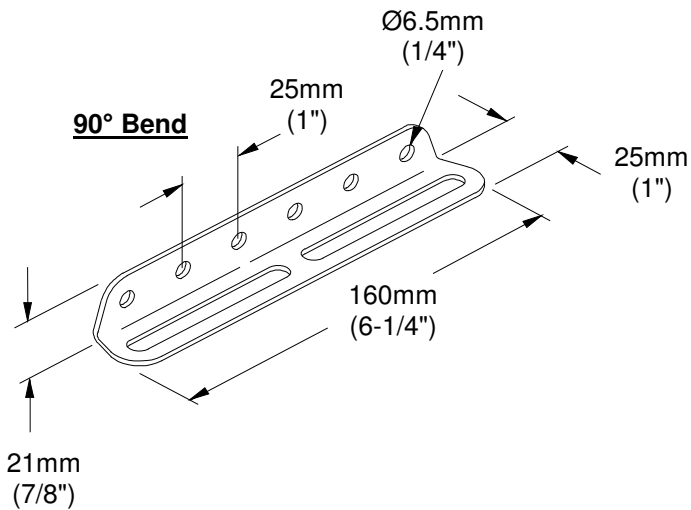
Mounting Options

**Seat Mounting
Bracket Kit**

HW200-20
&
HW200-90



20° Bracket side mounted



90° Bracket mounted on upholstery strips



Material:

Heat-treated steel,
powder coated

10-32 (M5) x 3/4" screws

Tools:

No.2 Phillips screwdriver

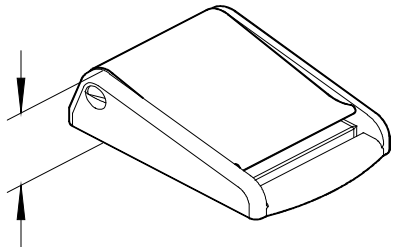
**Bodypoint
Hardware**

**Part
Numbers**

Mounting Options

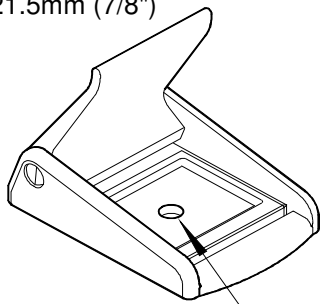
Cam Buckle

Direct Mounting - Solid Surface

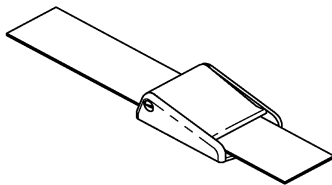
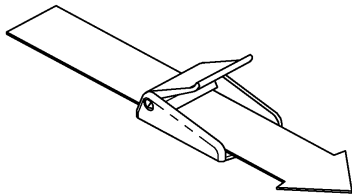


FS032-2 25mm (1")
FS033-2 38mm (1-1/2")
FS034-2 50mm (2")

FS032 = 14mm (9/16")
FS033 = 21.5mm (7/8")
FS034 = 21.5mm (7/8")



Ø6mm
(1/4")



Material:
Plastic

Mounting screws not included.
Screws must have minimum pullout
strength of 90kg (200lbs).

Typical Breaking Strength:

25mm (1") = 27kg-f (60lb-f)
38mm (1-1/2") = 163kg-f (360lb-f)
50mm (2") = 90kg-f (200lb-f)



**Bodypoint
Hardware**

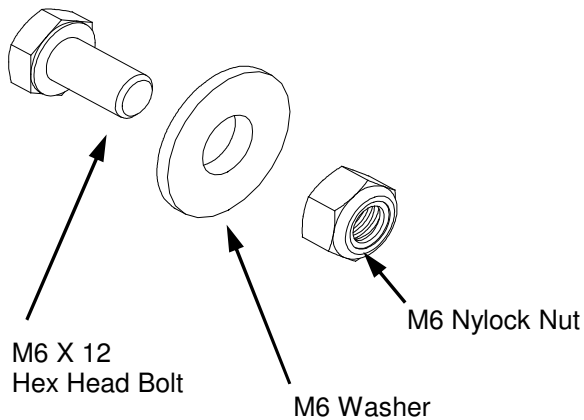
**Part
Numbers**

Mounting Options

6mm Fastener Mounting Kit

For Permobil Unitrack

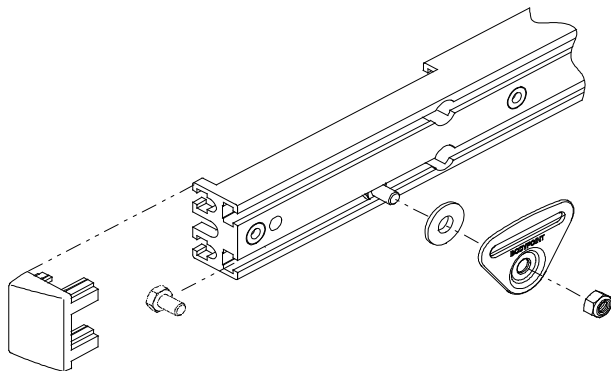
HKA6



Cinch-Mount™ End-Fitting



Flat-Mount™ End Fitting



Evoflex® Hip Belt
(used with Evoflex® low-profile flange nut)



Material:
Steel, zinc-plated

Tools:
10mm wrench

Typical Breaking Strength:
770kg-f (1,696lb-f)

Note:
Not for use with plastic end-fittings

**Bodypoint
Hardware**

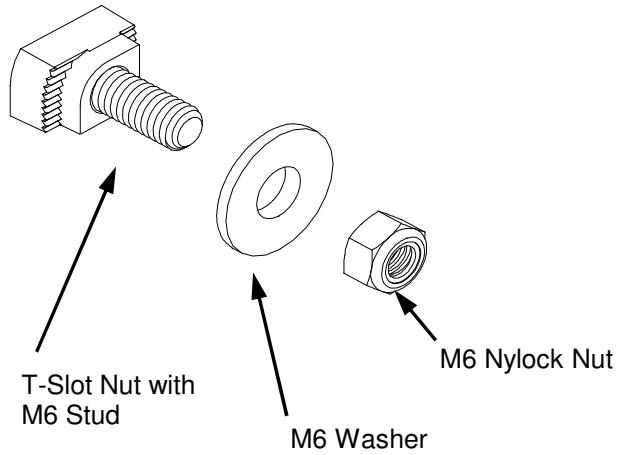
**Part
Numbers**

Mounting Options

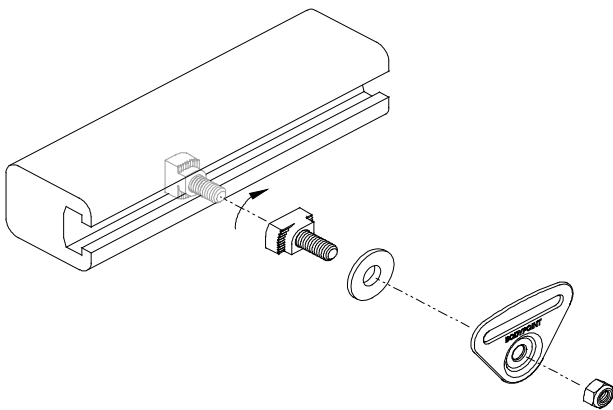
10mm Fastener Mounting Kit

For Invacare and Pride

HKA10



Cinch-Mount™ End-Fitting



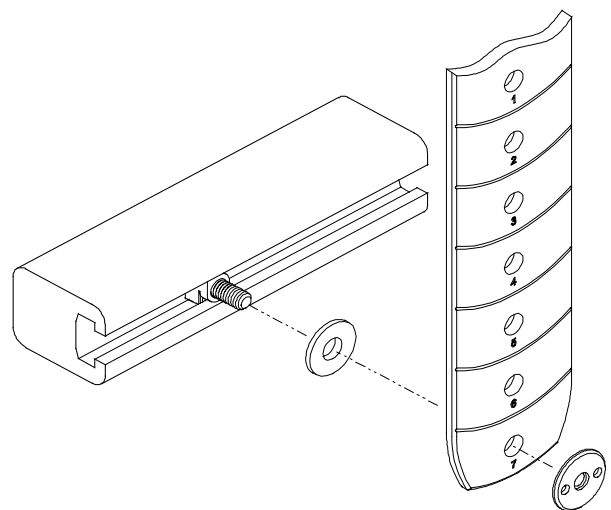
Evoflex® Hip Belt
(used with Evoflex® low-profile flange nut)

Material:
Steel, zinc-plated

Tools:
10mm wrench

Typical Breaking Strength:
770kg-f (1,696lb-f)

Note:
Not for use with plastic end-fittings

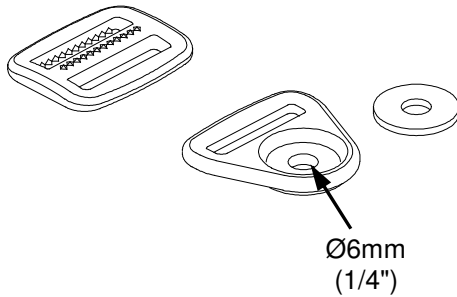


**Bodypoint
Hardware**

**Part
Numbers**

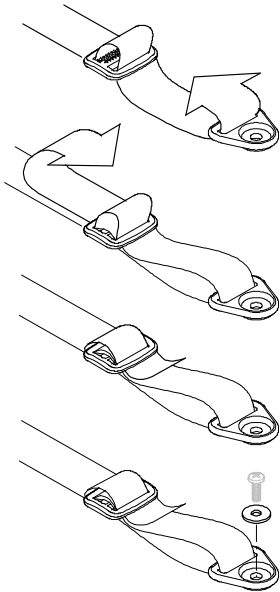
Mounting Options

Plastic Flat-Mount End-Fitting

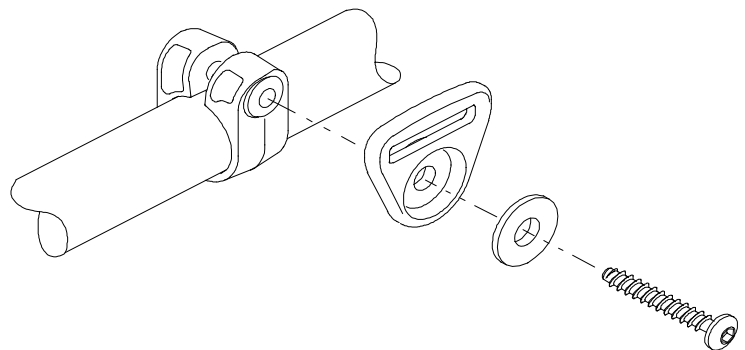


HKA31-R 25mm (1")

Direct Mounting - Solid Surface



FrameSaver™ Clamp



Material:

Plastic end-fittings, steel washer

Mounting screws not included.
Screws must have minimum pullout
strength of 90kg-f (200lb-f).

Typical Breaking Strength:

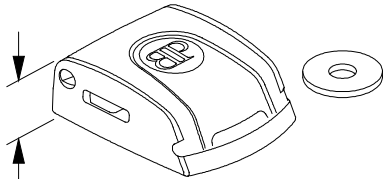
105kg-f (232lb-f)

**Bodypoint
Hardware**

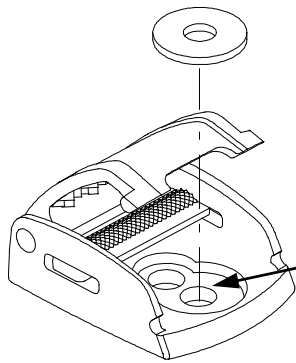
**Part
Numbers**

Mounting Options

**Plastic Cinch-Mount
End-Fitting**

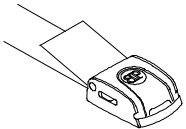
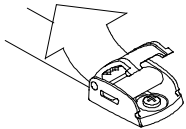
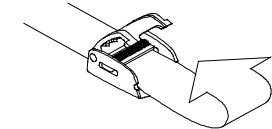


16mm
(5/8")



HKA32-R 25mm (1")

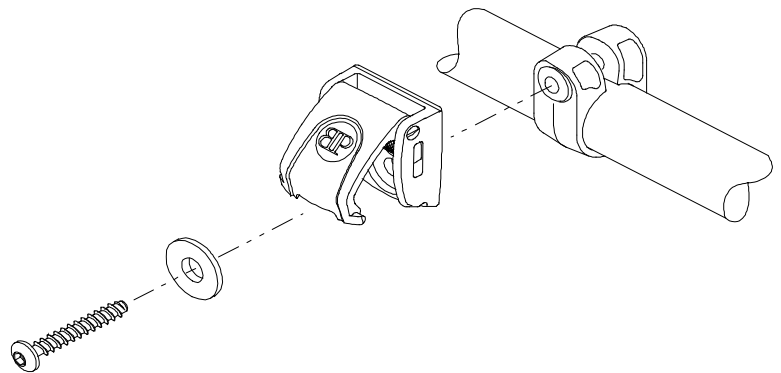
2X
Ø6mm
(1/4")



Direct Mounting - Solid Surface



FrameSaver™ Clamp



Material:

Plastic end-fitting, steel washer

Mounting screws not included.

Screws must have minimum pullout strength of 90kg-f (200lb-f).

Typical Breaking Strength:

113kg-f (250lb-f)