

PUSH-BUTTON

REHAB LATCH

X-SMALL METAL  
PUSH-BUTTON

SWIVEL

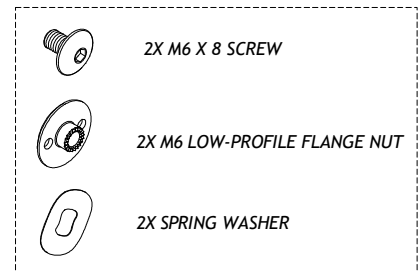
SIZE	PART NUMBER
S38	N/A
M46	EB205-M46
L62	EB205-L62

SIZE	PART NUMBER
S38	N/A
M46	EB225-M46
L62	EB225-L62

SIZE	PART NUMBER
S38	EB235-S38
M46	N/A
L62	N/A

SIZE	PART NUMBER
S38	EB275-S38
M46	EB275-M46
L62	N/A

INCLUDED MOUNTING FASTENERS

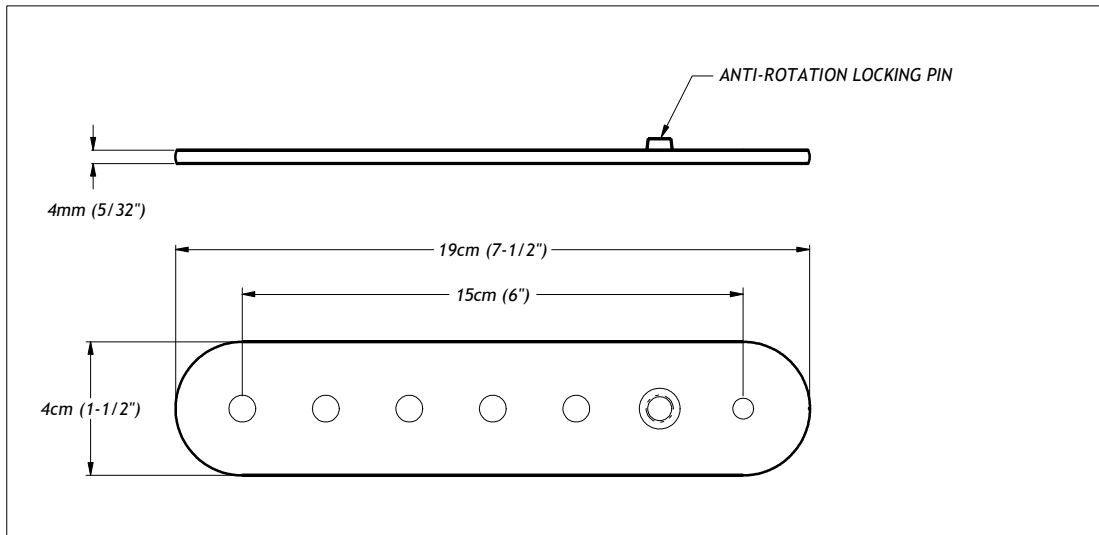
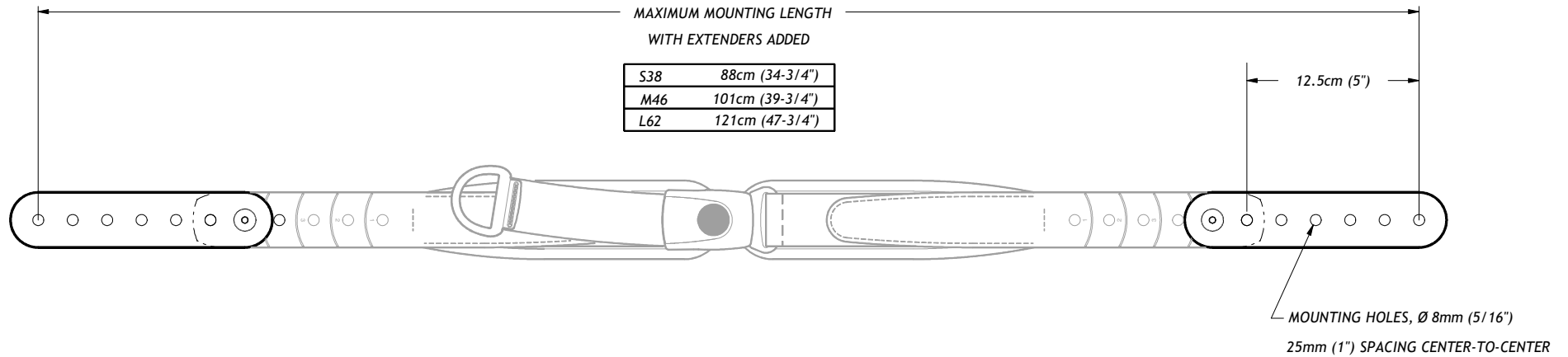


note

description

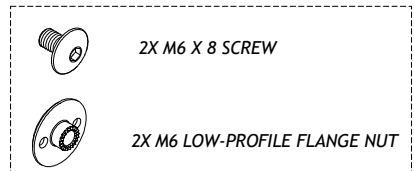
**EVOFLEX HIP BELT, TECHNICAL SPECS**

drawing no. <b>D11-1006-30</b>	date originated <b>10/06/2011</b>	drawn by <b>D. DOUGAL</b>	rev. <b>G</b>
-----------------------------------	--------------------------------------	------------------------------	------------------



EBE100 EVOFLEX BELT EXTENDER--GENERAL SPECIFICATIONS

INCLUDED FASTENERS FOR ATTACHING  
BELT EXTENDERS TO EVOFLEX BELT



**note**

EBE100 EVOFLEX BELT EXTENDERS ARE MADE FROM IMPACT-RESISTANT THERMOPLASTIC  
FOR ADDITIONAL INFORMATION, SEE D20-0225-01 EVOFLEX BELT EXTENDER INSTALLATION AND USE

**description**

**EVOFLEX HIP BELT, TECHNICAL SPECS**

drawing no. <b>D11-1006-30</b>	date originated <b>10/06/2011</b>	drawn by <b>D. DOUGAL</b>	rev. <b>G</b>
-----------------------------------	--------------------------------------	------------------------------	------------------