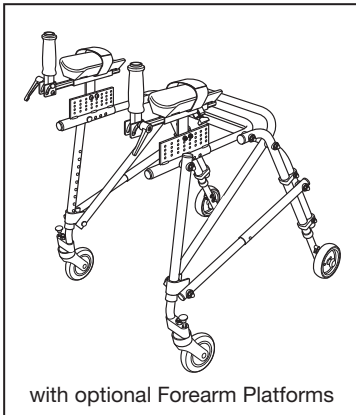
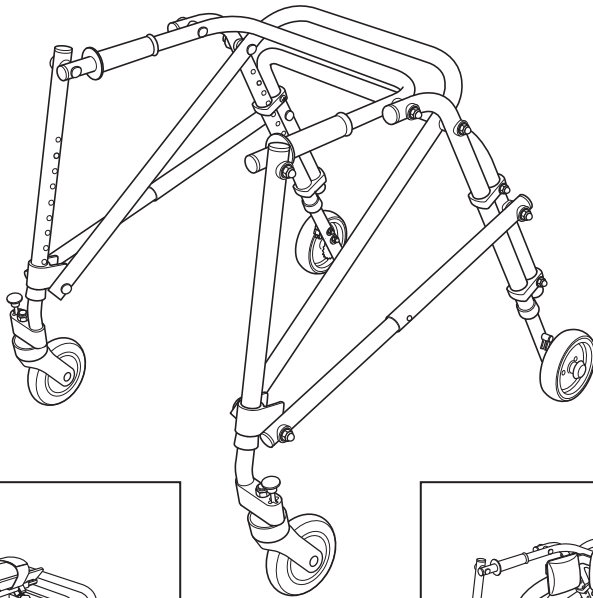


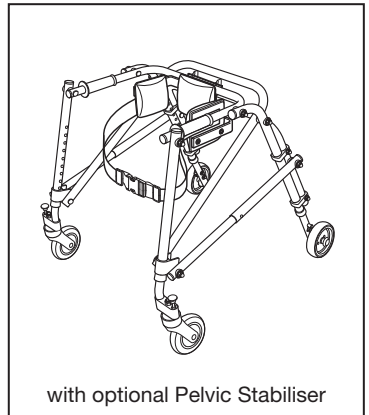
# drive™

## Nimbo Lightweight Posterior Posture Walker

### Assembly & Operating Instructions



with optional Forearm Platforms



with optional Pelvic Stabiliser

Please read these instructions carefully before assembling or operating this product.  
Ensure you are familiar with all of the safety and operating instructions.

## Contents

Technical Specification _____	1	Optional Accessories _____	3
Important Safety Information _____	2	Assembly _____	4
Care and Maintenance _____	2	Fitting the Optional Accessories _____	8
Parts _____	3	Warranty _____	Back

## Introduction

The Nimbo Walking Aid is available in five different sizes. It is used as a posterior walker and is available with a number of accessories.

The Nimbo may be used outdoors but is restricted to smooth and even terrain without obstacles. Examples of such terrain may include paths, pavements and playgrounds.

The Nimbo should not be used on rough or uneven ground, muddy conditions or on grass or gravel. If the user wishes to operate the Nimbo in this environment, Outdoor Wheels are available from Drive Medical Stockists under product code KA8100.

The outdoor wheels will not work on the lowest setting of the KA4200 or KA5200. For this position and for use on the KA1200 we recommend the KA8100S.

## Specifications

Code	Handle bar Height	Overall Width	Width inside Handle Grip	Depth opened at base	Weight	Weight Capacity
KA1200N	37-47cm	53cm	34cm	64cm	4kg	45kg
KA2200N	48-64cm	56cm	34cm	74cm	5kg	45kg
KA3200N	50-77cm	64cm	38cm	84cm	5kg	90kg
KA4200N	72-91cm	64cm	41cm	91cm	6kg	90kg
KA5200N	92-104cm	74cm	48cm	94cm	7kg	125kg

All dimensions are metric.

Drive Medical is an ISO 9001 certified company.

For more details about our products please see your local dealer.





## Important Safety Information

**Please read all of these instructions fully before assembly or operation.**

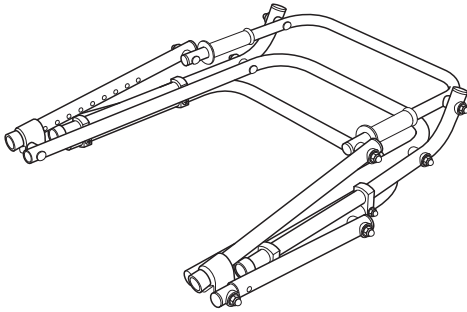
- Unpack and check that you have all of the parts and attachments shown.
- To avoid risk of suffocation to children or animals, dispose of the plastic bags correctly.
- Remove all packing materials and dispose of correctly.
- Pay attention to the environment and avoid obstacles, bad flooring or carpet and other hazards.
- Ensure that only Drive parts are used on the Nimbo. Periodically visually inspect the walker for signs of wear.
- Please ensure that only one person uses the walker at any one time, and do not exceed the weight limit.
- Children using the Nimbo walkers should be supervised at an adequate level dependent upon their individual ability.
- Always consult your healthcare professionals for advice on how to use the Nimbo safely.
- Do not use the castor and / or reverse locks without professional instruction.

## Care and Maintenance

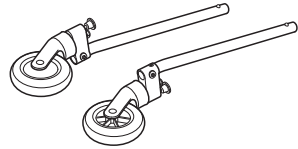
### **Cleaning:**

- Check the smooth function of the wheel sets regularly and prevent the wheel from getting dirty. Clean regularly by hand with a damp cloth.
- Do not use any abrasive detergents. Solvents can damage the coating and surface of plastic parts.
- Metal and screw connections must be checked regularly and to make sure that they are stable. If necessary retighten the screws.
- The locking buttons must be checked thoroughly. Contact your dealer immediately if the buttons are not functioning correctly.
- The bearing and tread of each wheel will wear differently depending upon the environment, users weight, walking style and type of use. Regularly check for wear and replace if required. The wheel should be lubricated regularly.
- After use in heavily muddy areas, etc the wheels and associated parts should be washed down to remove excess dirt.

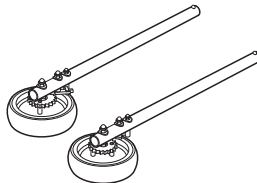
## Parts Nimbo Walker



Nimbo Frame



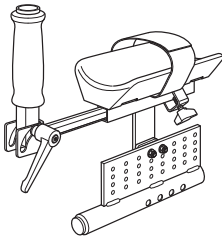
Front Swivel Wheels (pair)



Rear Anti-reverse Wheels (pair)

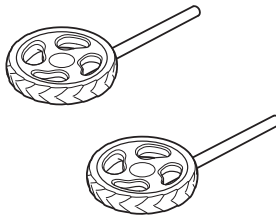
## Optional Accessories

### Forearm Platform



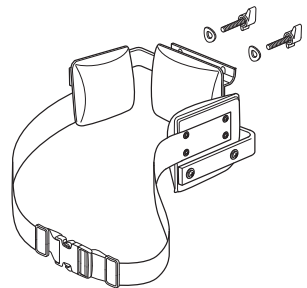
Handgrips (pair)  
Armrests (pair)  
Armrest Supports (x 2)

### Outdoor Wheels



Outdoor Wheels (x 2)

### Pelvic Stabiliser



Pelvic Stabiliser  
Washers (x 2)  
Fixing Bolts (x 2)

**Tools Required:** 10mm and 13mm spanner, 6mm Allen key.

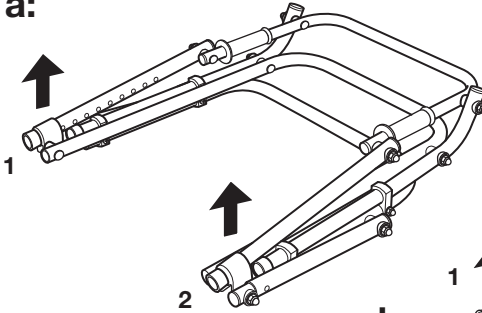
---

### Seat

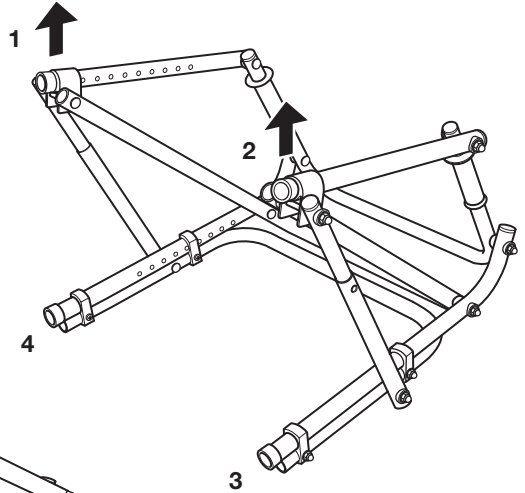
(See separate installation sheet)

# Assembly

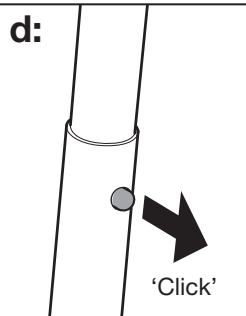
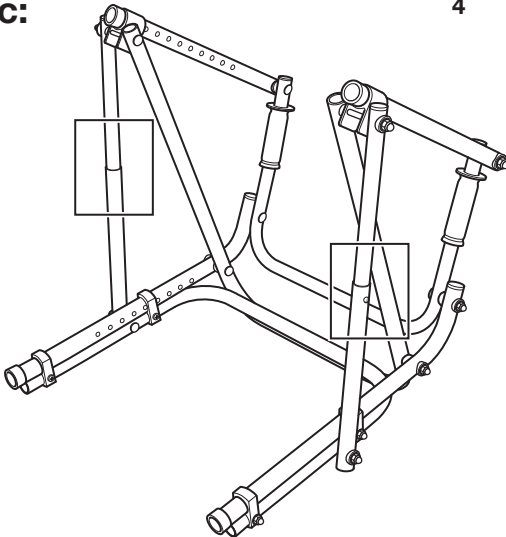
a:



b:



c:



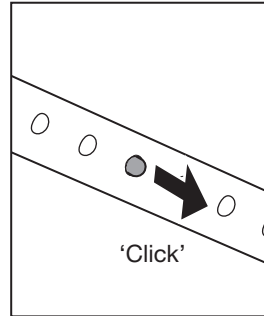
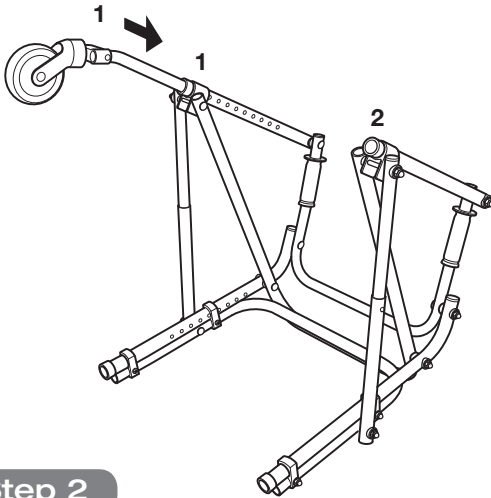
## Step 1

The Nimbo has a foldable aluminium tubular frame which is height adjustable with each leg numbered 1-4.

**To open up the Nimbo:** lay the frame on the ground with the front legs (1 & 2) on top (a). While holding the back legs (3 & 4) pull up on the front legs 1 & 2 (b). When both legs are fully extended (c) you should hear a 'click' as both buttons pop into position see detail (d).

**Warning:** Make sure that both buttons are in position before proceeding.

# Assembly

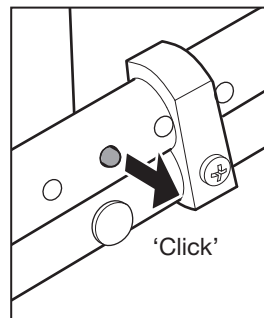
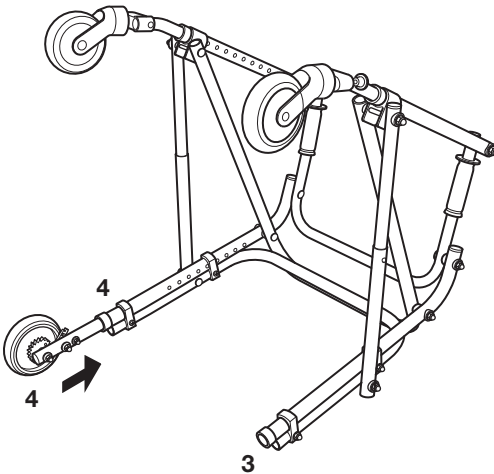


## Step 2

Each wheel is marked with a number 1 - 4, to match the numbers on the frame.

**To fit the wheels:** fit the first wheel (1) by pushing into the frame at position 1. Push in until the button pops out of one of the holes. Repeat for the other front wheel 2.

**Tip:** You might need to rotate the tube slightly until the button pops out.

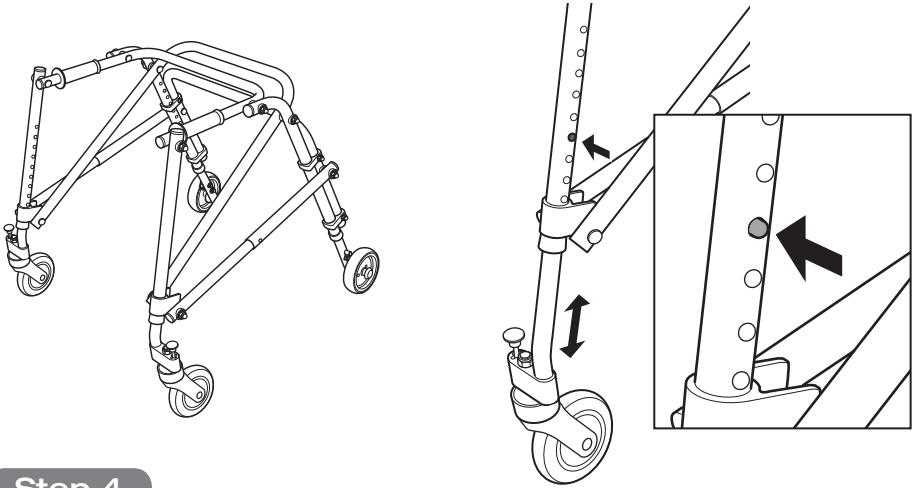


## Step 3

Repeat the same procedure with the two back wheels 3 & 4, matching the numbers on the frame. Push in until the button pops out of one of the holes.

**Tip:** You might need to rotate the tube slightly until the button pops out.

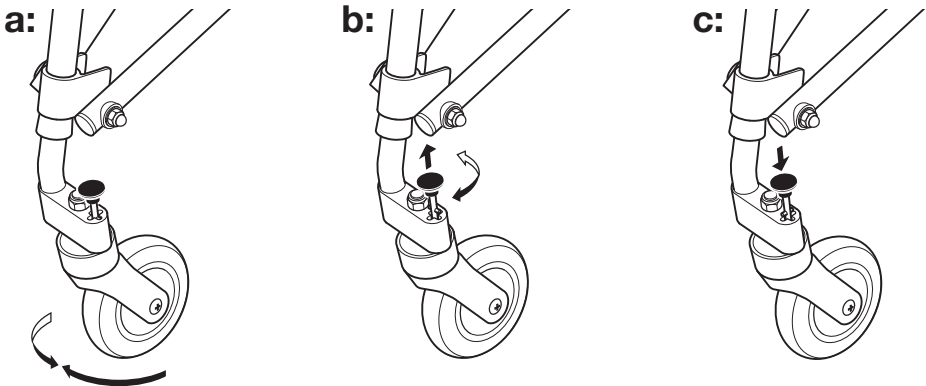
## Assembly



### Step 4

Lift up the frame and position onto its wheels. The front and the back wheels have 9 height positions.

**To adjust the height:** press in the button (arrow) and move the wheel to the required hole position. Make sure that the button pops into position in the frame, you should hear a 'click'. Repeat for the other 3 wheels making sure they go into the same height holes and the button pops into position.

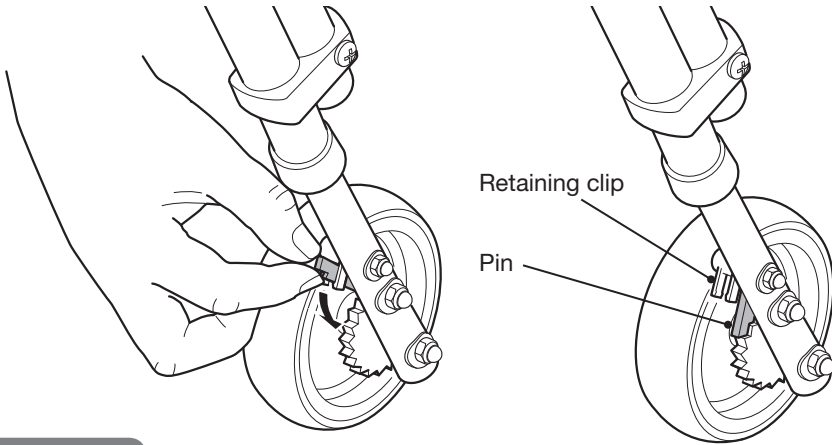


### Step 5 OPTIONAL

The front wheels can be locked in a forward position.

**To lock the front wheels:** adjust them to point forwards (a), pull up the Locking pin and turn 90° in either direction (b), release the pin to lock the wheels (c). To unlock the wheels repeat the operation.

## Assembly

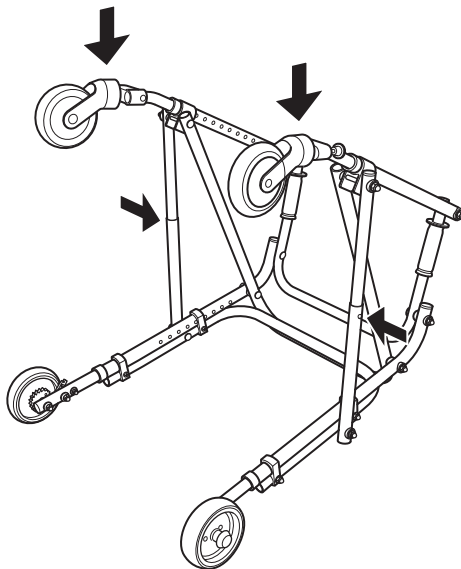


### Step 6 OPTIONAL

The back wheels can be locked to stop the chair from rolling backwards.

**To lock the back wheels:** release the metal pins from the plastic retaining clips. Let the pins fall into position onto the teeth on the wheels. To unlock the wheels, move the pins back into the plastic clips.

**Warning:** The brakes will only stop the chair from rolling backwards, the chair is still able to move forwards.

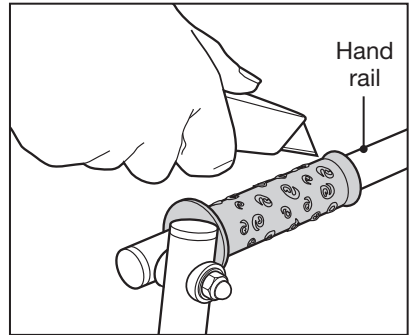
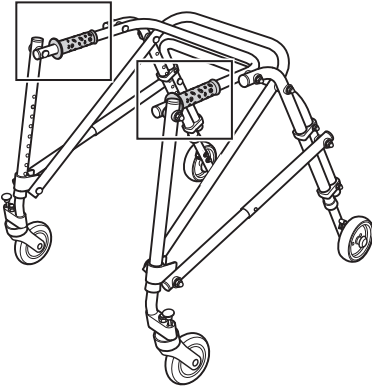


### Step 7

**To fold the walker:** push in the two buttons in the cross tube (arrowed) and push down on the front wheels. You might need to turn the wheels slightly to close the walker fully.



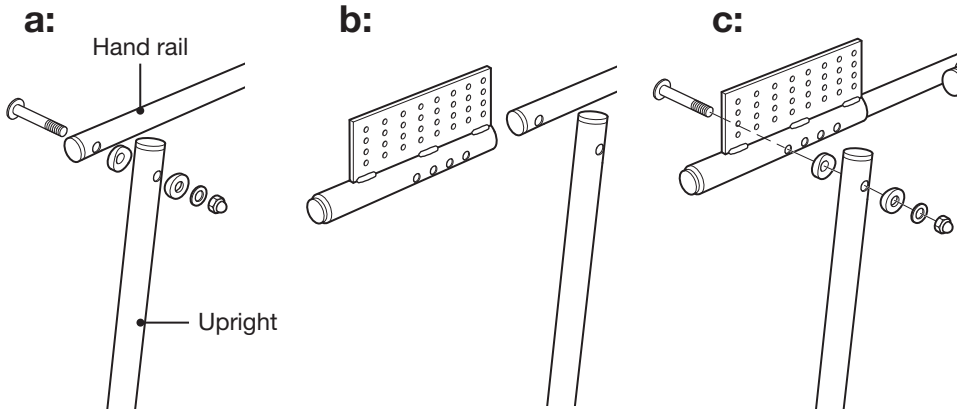
## Fitting the Forearm Platform



### Step 1

**Removing the hand grips:** the hand grips are factory fitted and are a tight fit they will need to be cut off using a sharp knife before the forearm platform can be fitted.

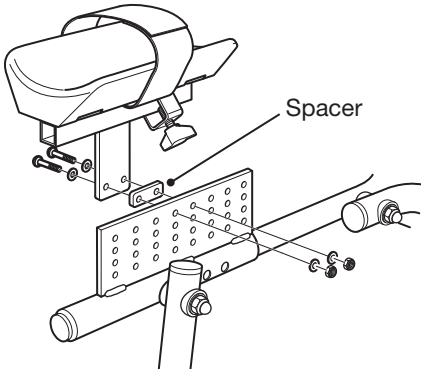
Carefully using a sharp knife make a cut along the hand grip, peel back the grip and remove from the hand rail. The hand grips cannot be reused and should be discarded.



### Step 2

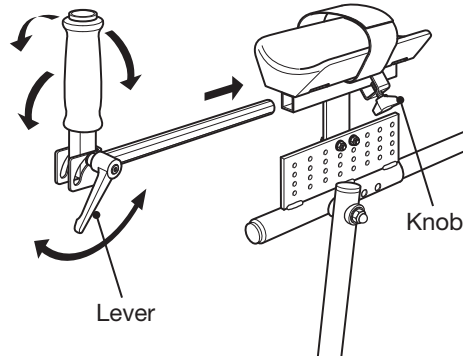
**To fit the armrest supports:** remove the nut, washer, spacer, bolt and middle spacer from the hand rail (a). Slide on the armrest support, there are four holes for adjustment (b). Line up one of the holes in the armrest support, push the bolt through the armrest support, slide the middle spacer and the upright onto the bolt and secure with the spacer, washer and nut (c). Repeat for the other side making sure that you use the same hole in the armrest support.

## Fitting the Forearm Platform - continued



### Step 3

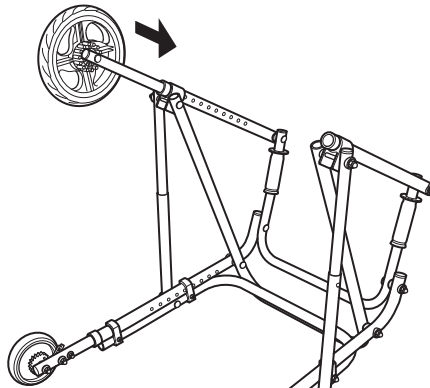
Bolt on the armrest. The armrest comes with 2 spacers for lateral adjustment, these should fit between the armrest and the armrest support as required. Secure the arm to the armrest support using the nuts, bolts and washers supplied.



### Step 4

Slide in the handgrips to the required position and tighten using the knob on the underside. The hand grips can also be rotated by sliding out rotating and sliding back in, tighten the knob. The hand grips can be angled forwards as required by releasing the lever, adjusting the hand grip and retighten.

## Fitting the Outdoor Wheels

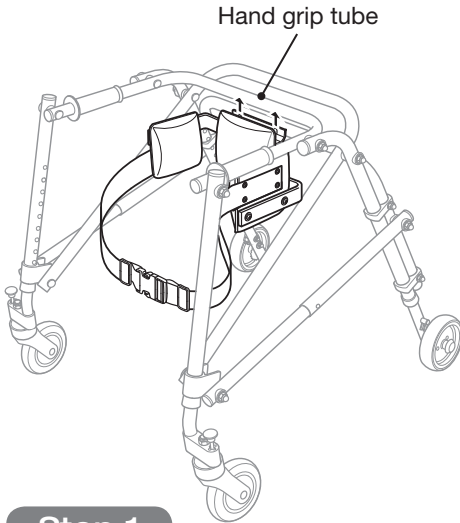


### Step 1

Outdoor wheels replace the existing front castor wheels. They are a larger diameter (9") and are locked in a forward facing position so are better at negotiating rougher terrain and small obstacles.

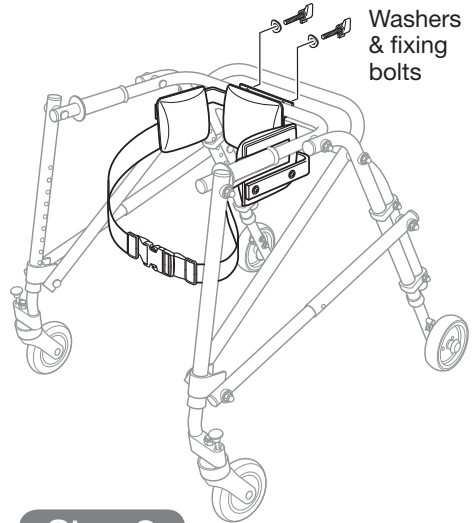
Remove the existing front wheels and replace with the outdoor wheels following step 2 on page 5, ensure the buttons lock into position. Ensure that the outdoor wheels are set at an equal and comfortable height. Adjust the height of the rear wheels if required. The height should be set so that the hand grips are near horizontal.

## Fitting the Pelvic Stabiliser



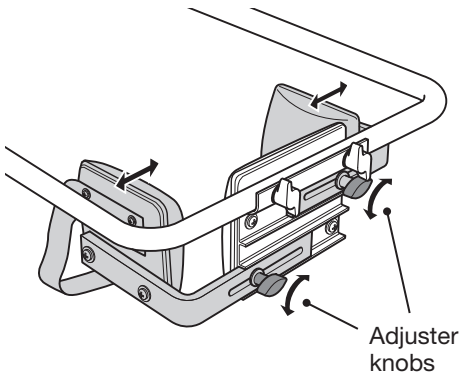
### Step 1

Position the pelvic stabiliser up under the back of the hand grip tube as shown.



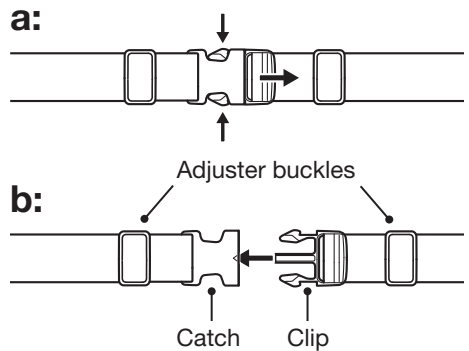
### Step 2

Line up the holes and attach from behind using the washers and fixing bolts, only hand tighten the fixing bolts.



### Step 3

**To adjust the pelvic stabiliser:**  
Loosen the two adjuster knobs shown and position the side pads as required. Re-tighten the adjuster knobs.



### Step 4

**a: To release the buckle:** Press in at the two points shown and pull the clip and catch apart.

**b: To secure the harness:** Insert clip into catch.

**To adjust the harness:** Slide the strap through the adjuster buckles to adjust the length as required.

# Warranty

Your Drive Nimbo comes with a comprehensive 24 month warranty. For warranty issues and claims please contact your Drive Medical dealer. The warranty conditions are below:

1. Any work or replacement part installation must be carried out by an authorised Drive Medical dealer / service agent.
2. To apply the warranty should your Drive Nimbo require attention please contact the your Drive Medical dealer / service agent.
3. Should any part of the Drive Nimbo require repair or full or part replacement as a result of a manufacturing or material defect within 24 months of receiving the Nimbo, parts will be supplied free of charge. **Note:** The guarantee is not transferable
4. Any repaired or replaced parts will be covered by this warranty for the balance of the warranty period on the armchair.
5. Parts replaced after the original warranty has expired will be covered by a three month warranty.
6. Consumable items supplied will not generally be covered during the normal warranty period unless such items require repair or replacement clearly as a direct result of a manufacturing or material defect.
7. The above warranty conditions apply to brand new chairs. If you are unsure whether your chair is covered, check with the service agent / dealer.
8. Under normal circumstances, no responsibility will be accepted where the Nimbo has required assistance as a direct result of:
  - a. The Nimbo part not having been maintained in accordance with the manufacturer's recommendations.
  - b. Failure to use the manufacturer's specified parts
  - c. The Nimbo or part having been damaged due to neglect, accident or improper use
  - d. The Nimbo or part having been altered from the manufacturer's specifications or repairs having been attempted before the service agent / dealer is notified.
  - e. Any unauthorized modifications carried out without approval of the manufacturer will make the liability null and void. This includes the overstepping of the maximum loads.

In the event of your Nimbo requiring attention, please contact your service agent / dealer and give all relevant details so they can act quickly. Please contact Drive Medical for advice if you do not know where the Nimbo was originally purchased from.

The manufacturer reserves the right to alter without notice any weights, measurements or other technical data shown in this manual. All figures, measurements shown in this manual are approximate and do not constitute specifications.

## Drive Medical Ltd

Ainley's Industrial Estate, Elland, West Yorkshire HX5 9JP

Web: [www.drivemedical.co.uk](http://www.drivemedical.co.uk)