

Zing

Size 2

Assembly Manual



PB5500 Zing MPS Gas Spring Lift, PB5504 Zing MPS Pow'r Up Lift
PB5502 Zing Supine Gas Spring Lift, PB5506 Zing Supine Pow'r Up Lift
PB5562 Zing MPS Tilt Table Gas Spring Lift, PB5566 Zing MPS Tilt Table Pow'r Up Lift
PB5564 Zing Supine Tilt Table Gas Spring Lift, PB5568 Zing Supine Tilt Table Pow'r Up Lift
PB5606 Zing Prone Gas Spring Lift, PB5608 Zing Prone Pow'r Up Lift

Please ensure the Assembly Manual stays with the unit at all times.

SYMBOL/LABEL LEGEND



CAUTION/WARNING/ATTENTION



TYPE BF APPLIED PART



PINCHPOINT



HUMIDITY

SN

SERIAL NUMBER

CE

CONFORMITÉ EUROPÉENNE

MD

MEDICAL DEVICE



Waste of electrical and electronic equipment must not be disposed as unsorted municipal waste. It must be collected separately, and must be disposed as per local regulations. Contact your authorized representative for information concerning the decommissioning of your equipment.



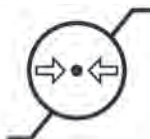
TEMPERATURE



DATE OF MANUFACTURE



SEE INSTRUCTIONS FOR USE



ATMOSPHERIC PRESSURE



MANUFACTURER

Rx only

PRESCRIPTION ONLY



POTENTIALLY HOT SURFACE

Accessible surfaces which may exceed 105°F/41°C and could be a hazard to persons with skin damage or not having sensation.

CERTIFICATION LABEL/UNIQUE DEVICE IDENTIFICATION LABEL

Manufacturer: Altimate Medical, Inc 262 West First Street Morton, MN 56270 507-697-6393	CE	MD	2021	
SN 0000000000				
00000000000000000000				
Model: Height Range: Max. Weight Limit:	Approx. Max. Mass of Unit & Weight Limit: 0000			

Serial Number

Item Number
Item Description

Unique Identifier

Table of Contents

Assembly 1

Parts Detail..... 20

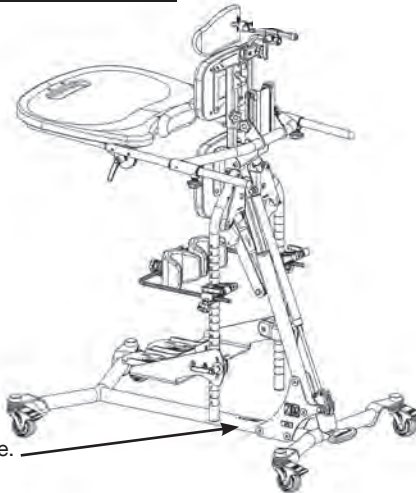
IMPORTANT **Zing Warranty Registration** **FREE GIFT Upon Completion**

(warranty & offer valid in the United States only)

IMPORTANT! Please complete and return within 30 days. To receive the free gift, please fill out all information. Thank You.

To register online go to zingstanders.com/warranty

**or Scan the
QR Code**



Serial number is located on the frame.

Date Purchased _____ Serial # _____

Assembly

1. Remove everything from the box.

Remove all plastic wrap and parts from the boxes.



2. Remove the bag of hardware from the wheelbase. It contains the 4 bolts for the mast assembly.



3. Position the mast as shown, place the wheelbase as shown onto the mast.



4A. Start all 4 bolts. Do not tighten at this time.

4B. Once all 4 bolts have been started, tighten them securely.



5. Remove the foot pedal and bolts from the polly bag and place the foot pedal onto the bottom of the gas spring as shown.



6. Line up holes and insert the 2 bolts, start both bolts first, then tighten securely.



7. Place unit onto its wheels as shown, and lock casters.



8. If the Gas Spring Lockout was ordered, unlock the gas spring by pulling the plunger. (see page 33)
If the Gas Spring Lockout was not ordered, remove the bolt from the lower part of the cylinder on the mast as shown, discard bolt.

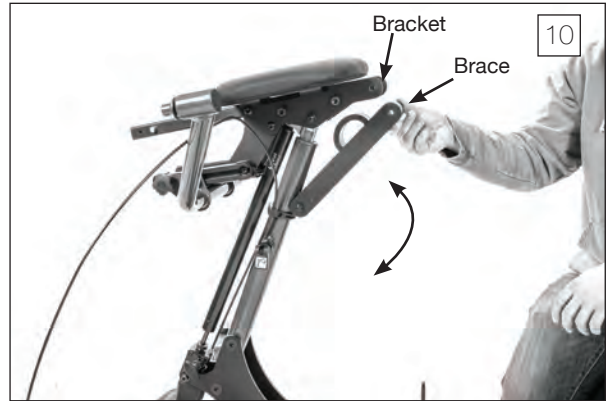
If the Pow'r Up Lift was ordered, plug the battery and controller in.



9. Remove the nut, bolt and two washers from the brace. These will be used in steps 10-15.



10. Flip up the brace as shown.



11. Depress the foot pedal to allow the mast to expand about 2 inches.

For the Pow'r Up Lift, use the controller to allow the unit to expand about 2 inches.



12. Insert brace into the bracket and line up holes. Insert washer in between the bracket and the brace. You may need a rubber mallet to assist.



13. Insert bolt into the hole about halfway through the brace.



14A. Insert washer on the other side of the brace and line up holes. You may need to use a flat head screwdriver to assist with the opening.



14B. Insert the bolt all the way through the holes. You may need a rubber mallet to assist.



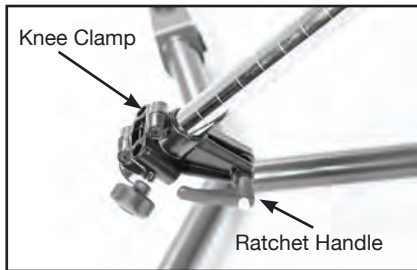
15. Place nut onto bolt and tighten securely with hex wrench and open ended wrench.



16. For the leg assembly, remove the two bolts behind the support pad. Set aside.



17. Place leg assembly onto unit as shown and line up holes. Making sure the ratchet handle and knee clamp are facing towards the rear of the unit. Insert both bolts and tighten securely. Repeat steps 16 and 17 for the other leg.



18. Legs should be installed as shown.



*If a Tilt Table (TT) model was ordered, skip to step 23.
If a Prone model was ordered, skip to step 29.*

MPS and Supine

19. Loosen the knob on the upper body support.



MPS and Supine

20. Place upper body support onto post as shown. Depress spring button and place into position.



MPS and Supine

21. Tighten knob securely.



22. Loosen knob on head support bracket, insert head support and tighten knob securely.



Tilt Table

23. If a Tilt Table (TT) model was ordered follow steps 23-27, remove the 6 bolts from the back of the upper body support pad.



Tilt Table

24. Place pad onto unit as shown. Line up the 2 middle holes on the pad with the bracket on the unit, insert 2 bolts and tighten snug.



Tilt Table

25. Using a hex wrench, insert 2 lower bolts into the holes on the pad. Tighten snug.

Note: Use the 2 holes on the bracket to access the lower holes in the pad.



25

Tilt Table

26. Place head support/push handle bracket into support tube as shown.



26

Tilt Table

27. Line up 2 holes on the bracket with the 2 upper holes on the pad. Insert bolts and tighten all 6 bolts on the pad securely.



27

28A. If the optional chest strap was ordered, place it around the pad as shown.

28B. Position strap in the grooves on the support bracket as shown.



Tilt Table



29. If the Prone model was ordered follow steps 29-35, remove the cap on the support tube and discard. A flat screw driver may be needed.



Prone

30. Using a hex wrench, loosen the set screw some, but do not remove.



Prone

31. Loosen knob and insert upper body support into the support tube and tighten knob securely. Tighten set screw.



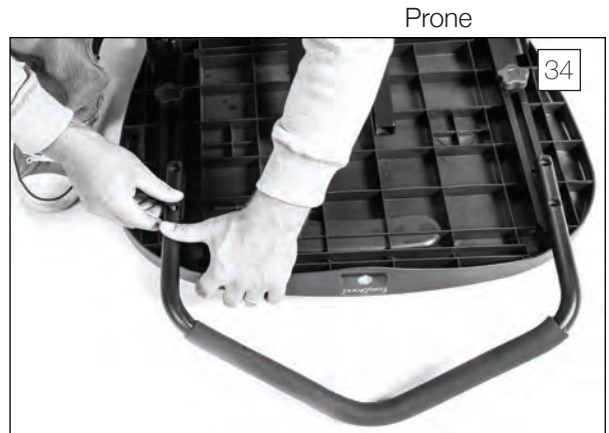
32. If the face aperture was ordered. Depress the spring button and place it onto the support tube.



33. If the push handle for the tray was ordered, place tray as shown, remove the 2 bolts from the support brackets on the tray. Make sure the covered brackets stay in place.



34. Place the push handle for the tray onto the support brackets as shown.



35A. Line up holes on support brackets and push handle. Insert bolts and tighten securely.

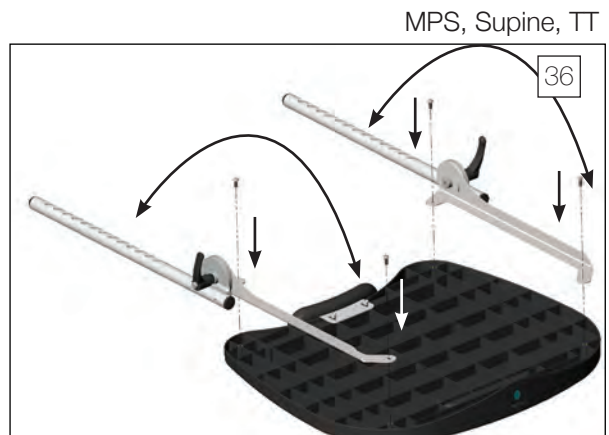


35B. Repeat steps 33-35 for other side of tray.



If a Prone model was ordered, skip to step 43.

36. If the tray with the arms was ordered, place the tray upside down as shown. Flip the chrome arms as shown, remove 4 bolts from bottom of the tray. Place arm brackets onto tray and line up holes in arm bracket with holes on the tray. Insert 4 bolts and tighten securely. If the swing-away tray was ordered, skip to step 39.



37. Loosen knobs on the tray brackets and flip open the gray latch all the way as shown below.

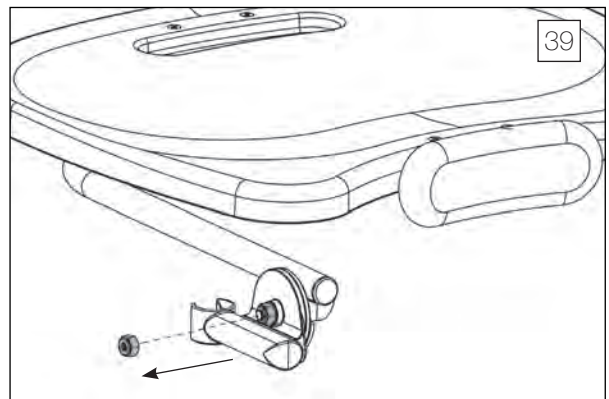


38. Lock the casters, insert the two tray arms into the tray bracket on the bottom of the tray as shown. Flip gray latch closed, and tighten knob securely.

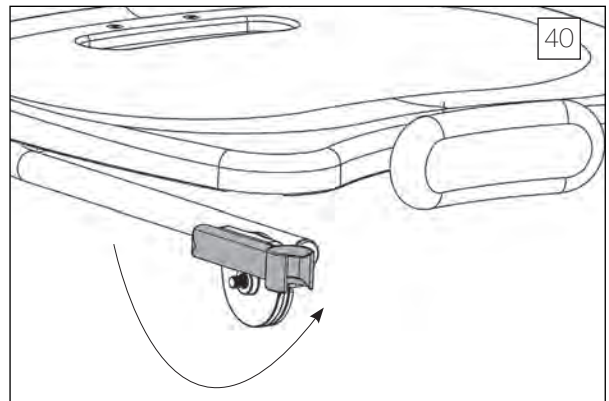
⚠ **Caution:** After placing the tray into position, ensure the ratchet handles on both sides of the tray are tightened securely.



39. If the swing-away tray was ordered follow steps 39-42, using a wrench, remove the nut from the bolt on the tray arm and discard the nut. Make sure all other hardware stays on the bolt.

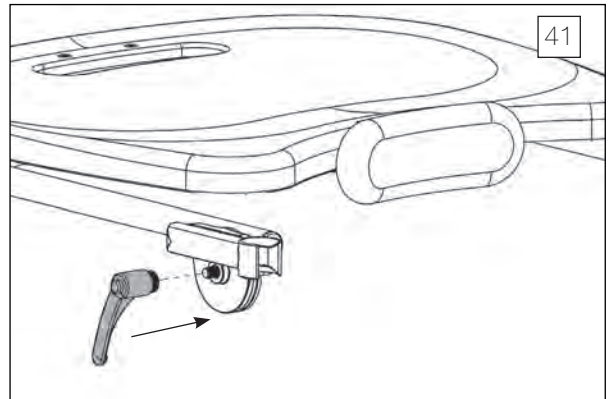


40. Flip the tray arm as shown.



41. Place the ratchet handle that was sent with the manual onto the bolt and tighten securely.

Repeat steps for the other side.



42. There are 2 knobs in the parts bag. Screw each knob slightly into the tray bracket on the unit. Place tray onto unit. Tighten both knobs securely.



43. If the Prone model was ordered. Loosen ratchet handles on the side of the tray. Flip tray support brackets up as shown. Tighten ratchet handles securely.



44. Insert tray support brackets into the following tubes as shown. Depress spring button and place tray into desired position, tighten knobs securely.



45. If the lateral supports were ordered, loosen knob on the lateral support clamp behind the upper body support pad. Insert lateral supports and tighten knob securely. Repeat steps for other lateral support.

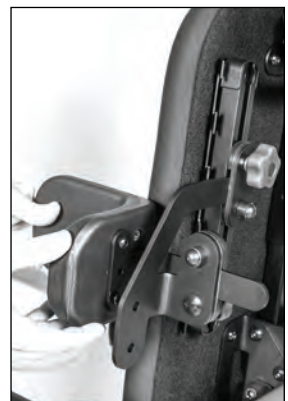
Prone Lateral Supports



Lateral Supports



Elbow Stop/Arm Rest



46. If hip supports were ordered, loosen knob on the hip support bracket on the leg. Insert hip support as shown. Tighten securely with the knobs or set screw kit (600673). Repeat steps for other hip support bracket.



47. If the multi-adjustable knee pads were ordered, loosen ratchet handles on the knee clamps. Raise up into desired position and tighten ratchet handle securely. Repeat steps for other knee clamp.

Calf Pad with Knee Strap



Loosen knobs and place onto legs as shown.
Tighten knobs securely when in position.

48. Loosen knob on knee clamp, insert knee pad bracket and tighten knob securely. Repeat steps for other knee.



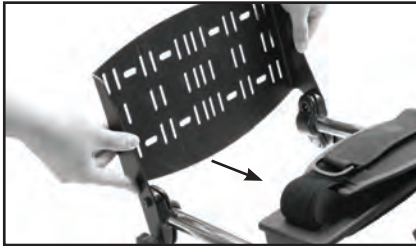
MPS, Supine, TT

Prone



49. If the multi-adjustable foot plates were ordered, loosen ratchet handle on foot plate, place foot plate bracket onto the leg as shown, place in desired position and tighten ratchet handle securely. Repeat steps for other foot plate.

Platform Foot Plate



Loosen knobs and place onto legs as shown.
Tighten knobs securely when in position.

If a Prone model was ordered, skip to step 55.

50. If the dual control option was ordered, insert handle and cable behind the support bracket and leg bracket.

MPS, Supine, TT



Prone



MPS, Supine, TT



51. Pull handle and cable through between the pad and the leg bracket as shown.

MPS, Supine, TT



52. Guide cable up behind pad. Make sure to guide cable on the back side of the push handle.



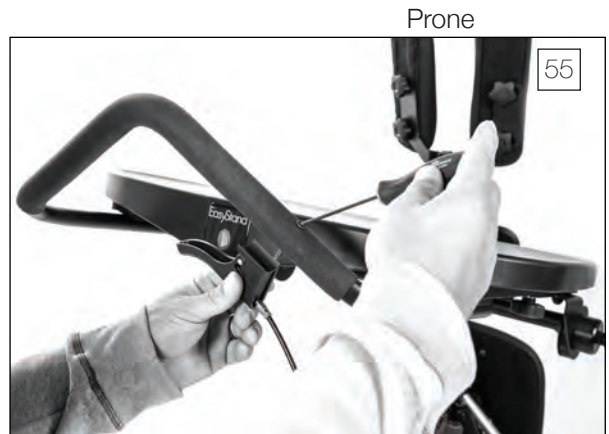
53. Remove bolt from the controller handle, place controller handle onto the push handle as shown. Insert bolt through the hole and tighten to the controller handle.



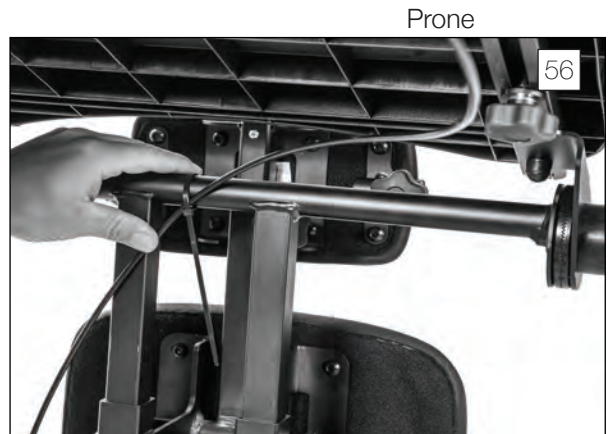
54. Use zip tie to secure cable to lower part of the push handle.



55. If the dual control was ordered, remove bolt from the controller handle, place controller handle onto the push handle as shown. Insert bolt through hole and tighten to the controller handle.



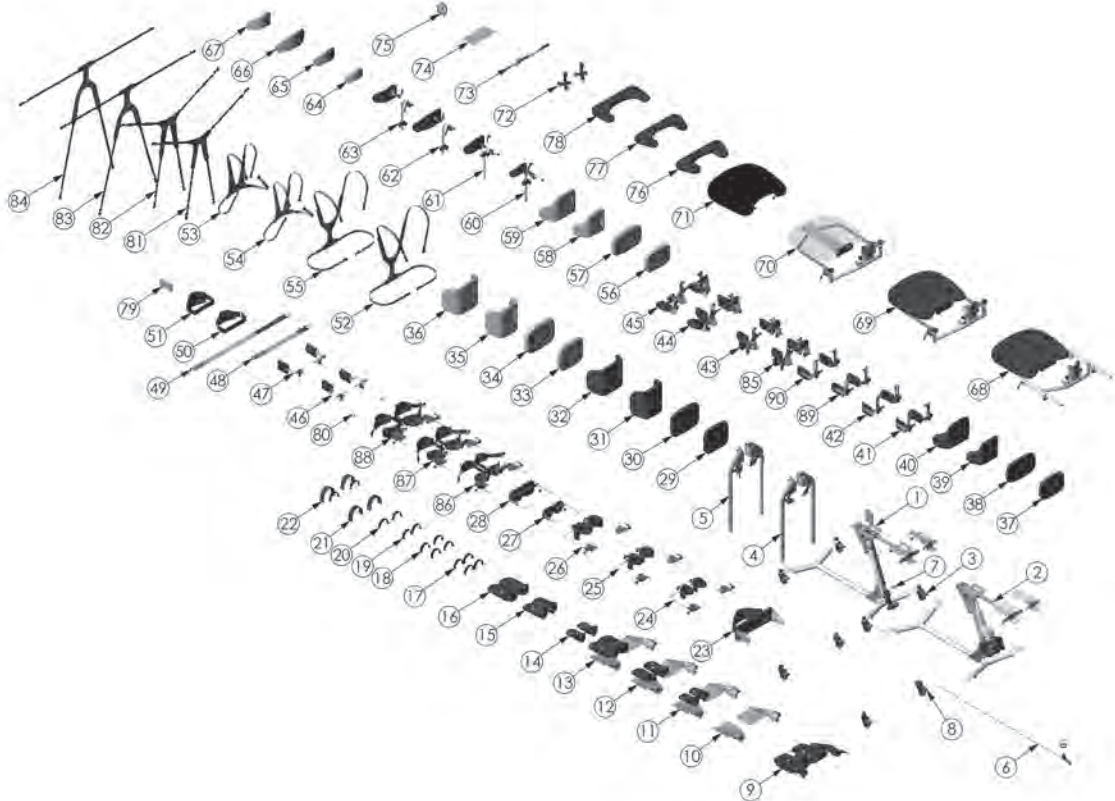
56. Guide the cable under the tray and use provided zip tie to secure the cable.



57. Guide the cable following the push handle and use provided zip tie to secure the cable.

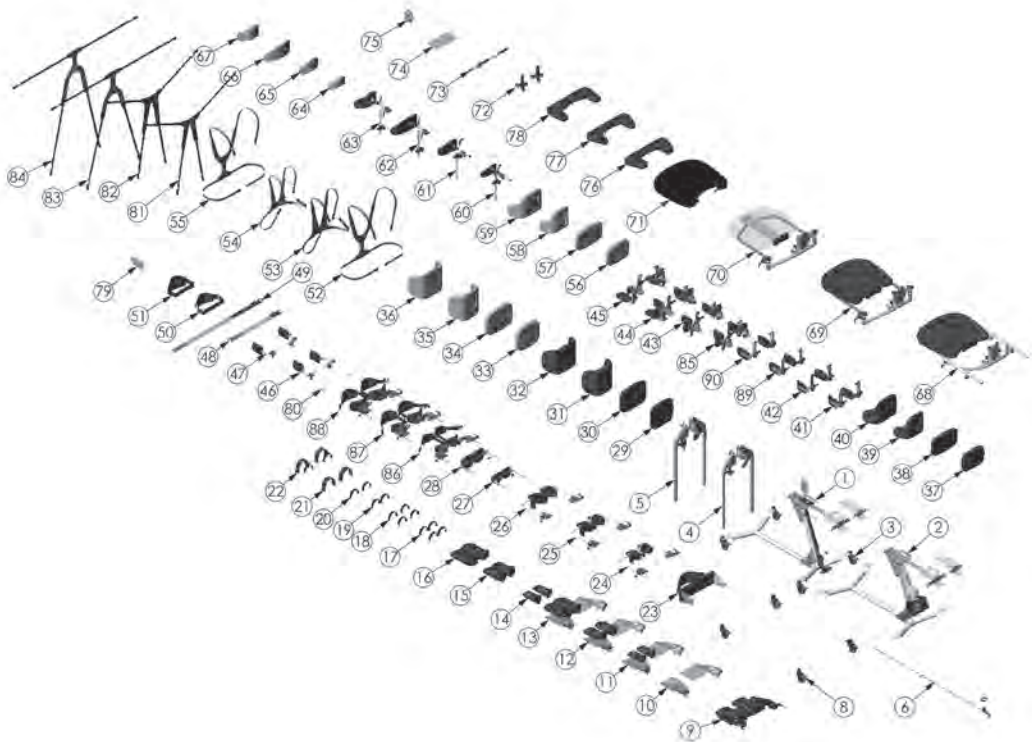


Parts Detail- MPS



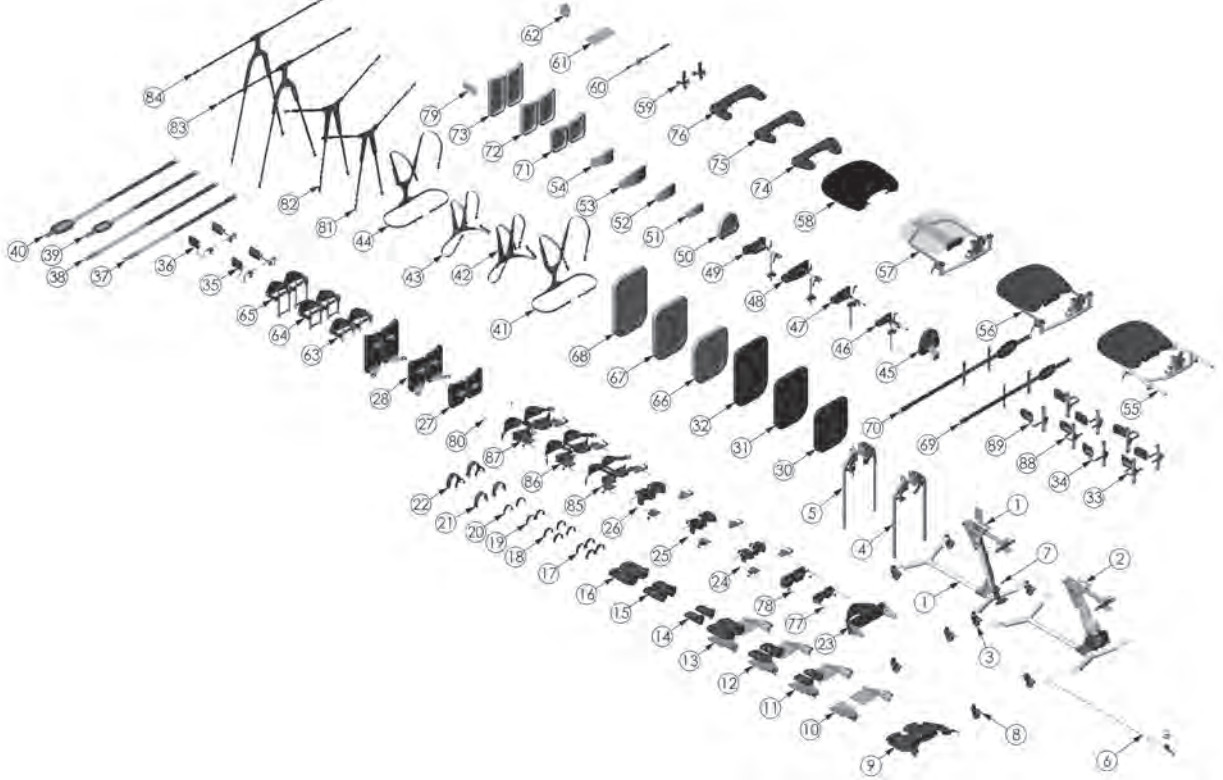
ITEM NO.	PART NO.	NAME	ITEM NO.	PART NO.	NAME
1	85590	ASMBLY ZING 2 MPS BASE GAS	51	B5542	POSITIONING STRAP W/ BT X 13" W PAD
2	85594	ASMBLY ZING 2 MPS BASE EL	52	NG30021	Y-STYLE CHEST VEST 20.5" L X 12.5" W
3	85508	ASMBLY CASTERS ZING SIZE 2	53	NG30058	X-STYLE CHEST VEST 14.5" L X 10.5" W
4	85512	ASMBLY LEGS BASIC ZING 2	54	NG30170	X-STYLE CHEST VEST 11" L X 9.5" W
5	85514	ASMBLY LEGS ABDUCTION ZING 2	55	NG30171	Y-STYLE CHEST VEST 17.5" L X 11.5" W
6	85516	ASMBLY DIAL LIFT ZING 2	56	B3029	SLIP COVER FOR B3001
7	A5614	ASMBLY GAS SPRING LOCK OUT	57	B3030	SLIP COVER FOR B3003
8	85510	ASMBLY CASTERS DIRECTIONAL ZING 2	58	B3031	SLIP COVER FOR B3005
9	85518	ASMBLY PLATFORM FOOTPLATE ZING 2	59	B3032	SLIP COVER FOR B3007
10	85519	ASMBLY FOOT PLATE BRACKETS ZING 2	60	Y5626	ASMBLY HEAD SUPPORT XS
11	85520	ASMBLY FOOT MULTI-ADJ 2.75" X 3.25"	61	Y5628	ASMBLY HEAD SUPPORT SMALL
12	85522	ASMBLY FOOT MULTI-ADJ 9.75" X 4"	62	Y5630	ASMBLY HEAD SUPPORT LARGE
13	85524	ASMBLY FOOT MULTI-ADJ 11.75" X 5"	63	A5586	ASMBLY HEAD REST CONTOUR SM
14	A5542	FOOT HOLDERS 7.75" L X 3.25" W	64	A3035	SLIP COVER HEAD REST 5" H X 8" W
15	A5544	FOOT HOLDERS 9.75" L X 4" W	65	A3036	SLIP COVER HEAD REST 6" H X 10" W
16	85526	ASMBLY FOOT PLATES 11.75" X 5"	66	B3033	SLIP COVER FOR Y5630
17	T50082	ASMBLY FOOT STRAP SECURE PED	67	A3037	COVER HEAD REST FORM TO FIT
18	Y5A38	ASMBLY FOOT STRAP SECURE 15" L	68	B5554	ASMBLY TILT TRAY ZING 2
19	T50080	ASMBLY FOOT STRAP PED	69	B5556	ASMBLY TRAY SWING AWAY BLACK
20	Y5636	ASMBLY FOOT STRAP 15" L	70	B5558	ASMBLY TRAY SWING AWAY CLEAR
21	NG50505	FOOT STRAPS 21" L	71	T30093	PADDED SLIP COVER LARGE TRAY
22	NG50506	SECURE FOOT STRAPS 21" L	72	NG60042	SUPPORT GRIP OPTION
23	85528	ASMBLY CALF PAD W/ STRAP ZING 2	73	B5590	ASMBLY HANDLES ZING 2
24	85530	ASMBLY KNEE MULTI-ADJ ZING 2 3.25"	74	B0809	TOOL POUCH
25	85532	ASMBLY KNEE MULTI-ADJ ZING 2 4.25"	75	B0246	SEAT ANGLE LOCATOR
26	85534	ASMBLY KNEE MULTI-ADJ ZING 2 5"	76	T50156	ASSEMBLY ELBOW PAD 9.25" CUTOUT
27	A5678	ASMBLY CALF PAD 4.5" X 4.5"	77	T50160	ASSEMBLY ELBOW PAD 11" CUTOUT
28	85536	ASMBLY CALF PAD 5.5" X 5.5"	78	Y5582	ASSEMBLY ELBOW PAD 13"
29	B3000	PAD PELVIC 11" W ZING 2	79	B3049	SLIP COVER 6" LATERAL PAD
30	B3002	PAD PELVIC 13" W ZING 2	80	A5721	ASMBLY KNEE DEPTH STOP
31	B3004	PAD PELVIC P2F 11" W ZING 2	81	NG30018	NON-STRETCH X-STYLE CHEST VEST 11" L X 9.5" W
32	B3006	PAD PELVIC P2F 13" W ZING 2	82	NG30022	NON-STRETCH X-STYLE CHEST VEST 14.5" L X 10.5" W
33	B3025	SLIP COVER FOR B3000	83	NG30020	NON-STRETCH X-STYLE CHEST VEST 17.5" L X 11.5" W
34	B3024	SLIP COVER FOR B3002	84	NG30024	NON-STRETCH Y-STYLE CHEST VEST 20.5" L X 12.5" W
35	B3027	SLIP COVER FOR B3004	85	B5639	ASMBLY ELBOW STOP ZING 2 7"-11"
36	B3028	SLIP COVER FOR B3006	86	B5646	ASMBLY POSTERIOR KNEES 5" ZING 2
37	B3001	PAD TORSO 11" W ZING 2	87	B5646	ASMBLY POSTERIOR KNEES 7" ZING 2
38	B3003	PAD TORSO 13" W ZING 2	88	B5650	ASMBLY POSTERIOR KNEES 8" ZING 2
39	B3005	PAD TORSO P2F 11" W ZING 2	89	B5652	ASMBLY LAT GUIDES ZING 2 7"-11"
40	B3007	PAD TORSO P2F 13" W ZING 2	90	B5654	ASMBLY LAT GUIDES ZING 2 10"-14"
41	85544	ASMBLY LAT GUIDES ZING 2 7"-11"			
42	85546	ASMBLY LAT GUIDES ZING 2 10"-14"			
43	85548	ASMBLY ELBOW STOP ZING 2			
44	85550	ASMBLY LAT ELBOW 4 ARM ZING 2			
45	85552	ASMBLY ELBOW W/ ARM REST ZING 2			
46	85528	ASMBLY HIP GUIDES 7"-12" ZING 2			
47	85540	ASMBLY HIP GUIDES 12"-18" ZING 2			
48	A3011	POSITIONING BELT ADJUSTABLE 25"-38"			
49	T30086	POSITIONING BELT ADJUSTABLE 34.5"-44.5"			
50	A5610	ASMBLY CHEST STRAP MPS			

Parts Detail- Supine



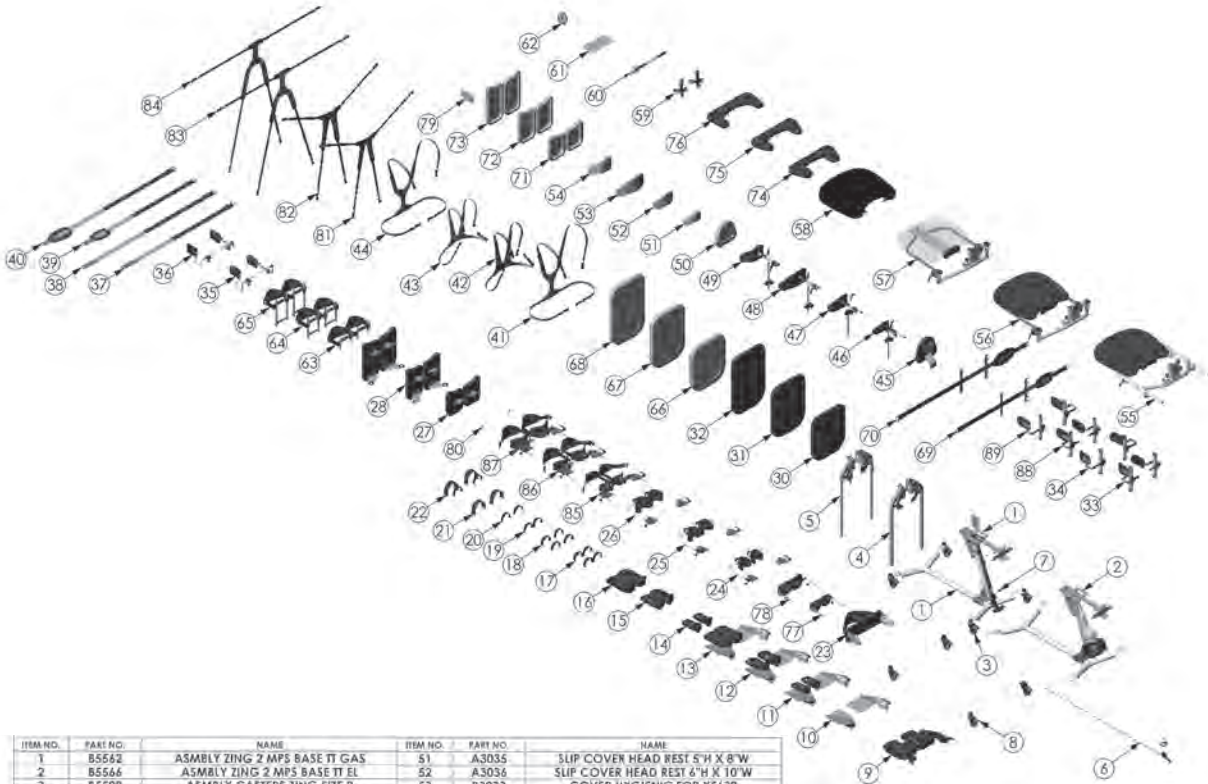
ITEM NO.	PART NO.	NAME	ITEM NO.	PART NO.	NAME
1	B5502	ASMBLY ZING 2 SUPINE BASE GAS	51	B5542	POSITIONING STRAP W/RT X 13"W PAD
2	B5506	ASMBLY ZING 2 SUPINE BASE EL	52	NG30021	Y-STYLE CHEST VEST 20.5"L X 12.5"W
3	B5508	ASMBLY CASTERS ZING SIZE 2	53	NG30056	X-STYLE CHEST VEST 14.5"L X 10.5"W
4	B5512	ASMBLY LEGS BASIC ZING 2	54	NG30170	X-STYLE CHEST VEST 11"L X 9.5"W
5	B5514	ASMBLY LEGS ADDITION ZING 2	55	NG30171	Y-STYLE CHEST VEST 17.5"L X 11.5"W
6	B5516	ASMBLY DUAL LIFT ZING 2	56	B3029	SLIP COVER FOR B3001
7	A5614	ASMBLY GAS SPRING LOCK OUT	57	B3030	SLIP COVER FOR B3003
8	B5510	ASMBLY CASTERS DIRECTIONAL ZING 2	58	B3031	SLIP COVER FOR B3005
9	B5515	ASMBLY PLATFORM FOOTPLATE ZING 2	59	B3032	SLIP COVER FOR B3007
10	B5519	ASMBLY FOOT PLATE BRACKETS ZING 2	60	Y5426	ASMBLY HEAD SUPPORT XS
11	B5520	ASMBLY FOOT MULTI-ADJ 7.75" X 3.25"	61	Y5428	ASMBLY HEAD SUPPORT SMALL
12	B5522	ASMBLY FOOT MULTI-ADJ 9.75" X 4"	62	Y5430	ASMBLY HEAD SUPPORT LARGE
13	B5524	ASMBLY FOOT MULTI-ADJ 11.75" X 5"	63	A5584	ASMBLY HEAD REST CONTOUR SM
14	A5544	FOOT HOLDERS 7.75" X 3.25" W	64	A3035	SLIP COVER HEAD REST 5"H X 8"W
15	A5544	FOOT HOLDERS 7.75" X 4"W	65	A3036	SLIP COVER HEAD REST 5"H X 10"W
16	B5526	ASMBLY FOOT PLATES 11.75" X 5"	66	B3033	SLIP COVER FOR Y5430
17	Y50082	ASMBLY FOOT STRAP SECURE PED	67	A3037	COVER HEAD REST FORM TO FIT
18	Y5638	ASMBLY FOOT STRAP SECURE 15"L	68	B5554	ASMBLY TILT TRAY ZING 2
19	Y50080	ASMBLY FOOT STRAP PED	69	B5556	ASMBLY TRAY SWING AWAY BLACK
20	Y5636	ASMBLY FOOT STRAP 15"L	70	B5558	ASMBLY TRAY SWING AWAY CLEAR
21	NG30505	FOOT STRAPS 21"	71	T30093	PADDED SLIP COVER LARGE TRAY
22	NG5050A	SECURE FOOT STRAPS 21"L	72	NG50042	SUPPORT GRIP OPTION
23	B5528	ASMBLY CALF PAD W/STRAP ZING 2	73	B5560	ASMBLY HANDLES ZING 2
24	B5530	ASMBLY KNEE MULTI-ADJ ZING 2 3.25"	74	B0809	TOOL POUCH
25	B5532	ASMBLY KNEE MULTI-ADJ ZING 2 4.25"	75	B0246	SEAT ANGLE LOCATOR
26	B5534	ASMBLY KNEE MULTI-ADJ ZING 2 5"	76	T50166	ASSEMBLY ELBOW PAD 9.25" CUTOUT
27	A5678	ASMBLY CALF PAD 4.5" X 8.5"	77	T50160	ASSEMBLY ELBOW PAD 11" CUTOUT
28	B5536	ASMBLY CALF PAD 5.5" X 6.5"	78	Y5582	ASSEMBLY ELBOW PAD 13"
29	B3000	PAD PELVIC 11"W ZING 2	79	B3049	SLIP COVER A' LATERAL PAD
30	B3002	PAD PELVIC 13"W ZING 2	80	A5731	ASMBLY KNEE DEPTH STOP
31	B3004	PAD PELVIC F2F 11"W ZING 2	81	NG30318	NON-STRETCH X-STYLE CHEST VEST 11.3" X 9.8"W
32	B3006	PAD PELVIC F2F 13"W ZING 2	82	NG30322	NON-STRETCH X-STYLE CHEST VEST 14.5" X 10.8"W
33	B3025	SLIP COVER FOR B3000	83	NG30320	NON-STRETCH Y-STYLE CHEST VEST 17.5" X 11.5"W
34	B3026	SLIP COVER FOR B3002	84	NG30324	NON-STRETCH Y-STYLE CHEST VEST 20.5" X 12.5"W
35	B3027	SLIP COVER FOR B3004	85	B5639	ASMBLY ELBOW STOP ZING 2 7"-11"
36	B3028	SLIP COVER FOR B3006	86	B5646	ASMBLY POSTERIOR KNEES 5" ZING 2
37	B3001	PAD TORSO 11"W ZING 2	87	B5648	ASMBLY POSTERIOR KNEES 7" ZING 2
38	B3003	PAD TORSO 13"W ZING 2	88	B5650	ASMBLY POSTERIOR KNEES 8" ZING 2
39	B3005	PAD TORSO F2F 11"W ZING 2	89	B5653	ASMBLY LAT GUIDES ZING 2 7"-11"
40	B3007	PAD TORSO F2F 13"W ZING 2	90	B5654	ASMBLY LAT GUIDES ZING 2 10"-14"
41	B5544	ASMBLY LAT GUIDES ZING 2 7"-11"			
42	B5546	ASMBLY LAT GUIDES ZING 2 10"-14"			
43	B5548	ASMBLY ELBOW STOP ZING 2			
44	B5550	ASMBLY LAT ELBOW & ARM ZING 2			
45	B5552	ASMBLY ELBOW W/ ARM REST ZING 2			
46	B5538	ASMBLY HIP GUIDES 7"-13" ZING 2			
47	B5540	ASMBLY HIP GUIDES 12"-18" ZING 2			
48	A3011	POSITIONING BELT ADJUSTABLE 25 - 38"			
49	T30066	POSITIONING BELT ADJUSTABLE 34.5 - 44.5"			
50	A5610	ASMBLY CHEST STRAP MPS			

Parts Detail- TT MPS



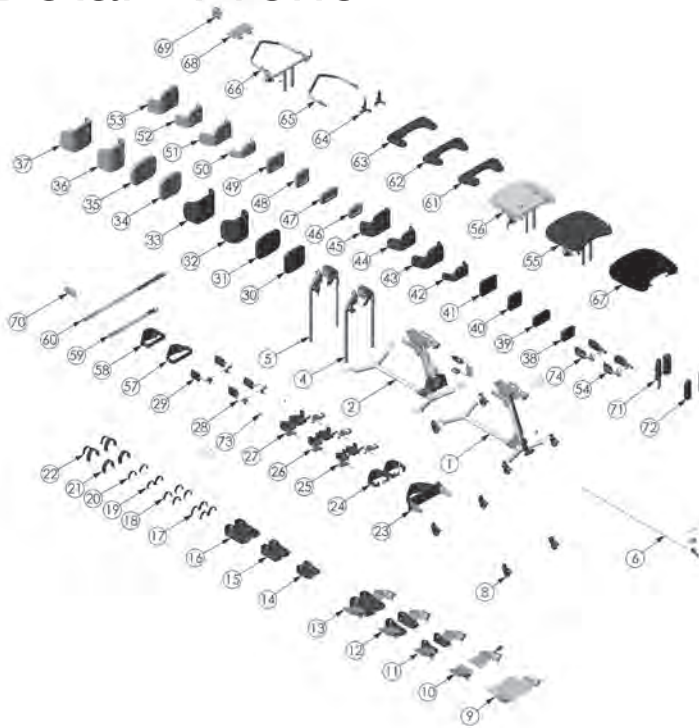
ITEM NO.	PART NO.	NAME	ITEM NO.	PART NO.	NAME
1	B5562	ASMBLY ZING 2 MPS BASE TT GAS	51	A3035	SLIP COVER HEAD REST 5'H X 8'W
2	B5566	ASMBLY ZING 2 MPS BASE TT FL	52	A3036	SLIP COVER HEAD REST 6'H X 10'W
3	B5508	ASMBLY CASTERS ZING SIZE 2	53	B3033	COVER HYGIENIC FOR Y5630
4	B5512	ASMBLY LEGS BASIC ZING 2	54	A3037	COVER HEAD REST FORM TO FIT
5	B5514	ASMBLY LEGS ABDUCTION ZING 2	55	B5554	ASMBLY TILT TRAY ZING 2
6	B5516	ASMBLY DUAL UP/ DOWN ZING 2	56	B5556	ASMBLY TRAY SWING AWAY BLACK
7	A5614	ASMBLY GAS SPRING LOCK OUT	57	B5558	ASMBLY TRAY SWING AWAY CLEAR
8	B5510	ASMBLY CASTERS DIRECTIONAL ZING 2	58	T30093	PADDED SLIP COVER LARGE TRAY
9	B5518	ASMBLY PLATFORM FOOTPLATE ZING 2	59	NG50042	SUPPORT GRIP OPTION
10	B5519	ASMBLY FOOT PLATE BRACKETS ZING 2	60	B5560	ASMBLY HANDLE ZING 2
11	B5520	ASMBLY FOOT MULTI-ADJ 7.75" X 3.25"	61	R0809	TOOL POUCH
12	B5522	ASMBLY FOOT MULTI-ADJ 9.75" X 4"	62	R0244	SEAT ANGLE LOCATOR
13	B5524	ASMBLY FOOT MULTI-ADJ 11.75" X 5"	63	B5576	ASMBLY KNEE STRAP FOR 9" T PADS
14	A5542	FOOT HOLDERS 7.75" X 3.25" W	64	B5578	ASMBLY KNEE STRAP FOR 12" T PADS
15	A5544	FOOT HOLDERS 9.75" X 4" W	65	B5580	ASMBLY KNEE STRAP FOR 15" T PADS
16	B5526	ASMBLY FOOT PLATES 11.75" X 5"	66	B3035	SLIP COVER FOR B3012
17	T50082	ASMBLY FOOT STRAP SECURE PED	67	B3036	SLIP COVER FOR 9.25" CUTOUT
18	Y5638	ASMBLY FOOT STRAP SECURE 15"L	68	B3037	SLIP COVER FOR B3016
19	T50080	ASMBLY FOOT STRAP PED	69	B5594	PADDED CHEST STRAP 54"L W/ 8"L PAD
20	Y5636	ASMBLY FOOT STRAP 15"L	70	B5598	PADDED CHEST STRAP 64"L W/ 10"L PAD
21	NG60505	FOOT STRAPS 21"L	71	B5600	SLIP COVERS FOR B5570
22	NG60506	SECURE FOOT STRAPS 21"L	72	B5602	SLIP COVERS FOR B5572
23	B5528	ASMBLY CALF PAD W/ STRAP ZING 2	73	B5604	SLIP COVERS FOR B5574
24	B5530	ASMBLY KNEE MULTI-ADJ ZING 2 3.25"	74	T50154	ASSEMBLY ELBOW PAD 9.25" CUTOUT
25	B5532	ASMBLY KNEE MULTI-ADJ ZING 2 4.25"	75	T50160	ASSEMBLY ELBOW PAD 11" CUTOUT
26	B5534	ASMBLY KNEE MULTI-ADJ ZING 2 5"	76	Y5582	ASSEMBLY ELBOW PAD 13"
27	B5570	ASMBLY LEG PADS ZING 2 TT 9"L	77	A5678	ASMBLY CALF PAD 4.5" X 4.5"
28	B5572	ASMBLY LEG PADS ZING 2 TT 12"L	78	B5534	ASMBLY CALF PAD 5.5" X 5.5"
29	B5574	ASMBLY LEG PADS ZING 2 TT 15"L	79	B3049	SLIP COVER 6" LATERAL PAD
30	B3012	PAD PLANAR 16" W X 19"L	80	A5731	NON-STRETCH 2-STYLE CHEST VEST 17.5" X 14.5" W
31	B3015	PAD PLANAR 16" W X 25"L	81	NG30318	NON-STRETCH X-STYLE CHEST VEST 14.5" X 10.5" W
32	B3018	PAD PLANAR 16" W X 25"L	82	NG30322	NON-STRETCH Y-STYLE CHEST VEST 17.5" X 11.5" W
33	B5588	ASMBLY LAT GUIDES 7-11" ZING 2 TT	83	NG30320	NON-STRETCH Y-STYLE CHEST VEST 20.5" X 12.5" W
34	B5590	ASMBLY LAT GUIDES 10-16" ZING 2 TT	84	NG30324	NON-STRETCH Y-STYLE CHEST VEST 17.5" X 11.5" W
35	B5584	ASMBLY HIP GUIDES 7-13" ZING 2 TT	85	B5646	ASMBLY POSTERIOR KNEES 5" ZING 2
36	B5586	ASMBLY HIP GUIDES 10-16" ZING 2 TT	86	B5648	ASMBLY POSTERIOR KNEES 7" ZING 2
37	A3062	POSITIONING BELT ADJUSTABLE 25-64"	87	B5650	ASMBLY POSTERIOR KNEES 8" ZING 2
38	B3062	POSITIONING BELT ADJUSTABLE 35-64"	88	B5655	ASMBLY LAT GUIDES 7-11" ZING 2 TT
39	B5592	PADDED STRAP 54" L W/ 8" L PAD	89	B5556	ASMBLY LAT GUIDES 10-16" ZING 2 TT
40	B5594	PADDED STRAP 64" L W/ 10" L PAD			
41	NG30021	Y-STYLE CHEST VEST 20.5" X 12.5" W			
42	NG30056	X-STYLE CHEST VEST 14.5" X 10.5" W			
43	NG30170	X-STYLE CHEST VEST 11" X 9.5" W			
44	NG30171	Y-STYLE CHEST VEST 17.5" X 11.5" W			
45	B5582	ASMBLY PLANAR HEAD ZING 2 TT			
46	Y5626	ASMBLY HEAD SUPPORT XS			
47	Y5628	ASMBLY HEAD SUPPORT SMALL			
48	Y5630	ASMBLY HEAD SUPPORT LARGE			
49	A5586	ASMBLY HEAD REST CONTOUR SM			
50	B3038	SLIP COVER FOR B3011			

Parts Detail- TT Supine



ITEM NO.	PART NO.	NAME	ITEM NO.	PART NO.	NAME
1	B5542	ASMBLY ZING 2 MP5 BASE TT GAS	51	A3035	SLIP COVER HEAD REST 5'H X 8'W
2	B5566	ASMBLY ZING 2 MP5 BASE TT EL	52	A3036	SLIP COVER HEAD REST 6'H X 10'W
3	B5508	ASMBLY CASTERS ZING SIZE 2	53	B3033	COVER SLICING FOR Y5630
4	B5512	ASMBLY LEGS BASIC ZING 2	54	A3037	COVER HEAD REST FORM TO FIT
5	B5514	ASMBLY LEGS ABDUCTION ZING 2	55	B5564	ASMBLY TILT TRAY ZING 2
6	B5516	ASMBLY DUAL LIFT ZING 2	56	B5556	ASMBLY TRAY SWING AWAY BLACK
7	A5614	ASMBLY GAS SPRING LOCK OUT	57	B5558	ASMBLY TRAY SWING AWAY CLEAR
8	B5510	ASMBLY CASTERS DIRECTIONAL ZING 2	58	T30093	PADDED SLIP COVER LARGE TRAY
9	B5518	ASMBLY PLATFORM FOOTPLATE ZING 2	59	NG50042	SUPPORT GRIP OPTION
10	B5519	ASMBLY FOOT PLATE BRACKETS ZING 2	60	B5640	ASMBLY HANDLES ZING 2
11	B5520	ASMBLY FOOT MULTI-ADJ 7.75" X 3.25"	61	B0809	TOOL POUCH
12	B5522	ASMBLY FOOT MULTI-ADJ 7.75" X 4"	62	B0246	SEAT ANGLE LOCATOR
13	B5524	ASMBLY FOOT MULTI-ADJ 11.75" X 5"	63	B5576	ASMBLY KNEE STRAP FOR 9" PADS
14	A5642	FOOT HOLDERS 7.75" L X 3.25" W	64	B5578	ASMBLY KNEE STRAP FOR 12" PADS
15	A5644	FOOT HOLDERS 9.75" L X 4" W	65	B5580	ASMBLY KNEE STRAP FOR 15" PADS
16	B5528	ASMBLY FOOT PLATES 11.75" X 5"	66	B3035	SLIP COVER FOR B3012
17	T50062	ASMBLY FOOT STRAP SECURE PED	67	B3036	SLIP COVER FOR B3015
18	Y5638	ASMBLY FOOT STRAP SECURE 15"L	68	B3037	SLIP COVER FOR B3018
19	T50060	ASMBLY FOOT STRAP PED	69	B5596	PADDED CHEST STRAP 54" L W/ 8" L PAD
20	Y5636	ASMBLY FOOT STRAP 15"L	70	B5598	PADDED CHEST STRAP 64" L W/ 10" L PAD
21	NG50505	FOOT STRAPS 21"L	71	B5600	SLIP COVERS FOR B5570
22	NG50506	SECURE FOOT STRAPS 21"L	72	B6602	SLIP COVERS FOR B5572
23	B5526	ASMBLY CALF PAD W/ STRAP ZING 2	73	B5604	SLIP COVERS FOR B5574
24	B5530	ASMBLY KNEE MULTI-ADJ ZING 2 3.25"	74	Y50156	ASSEMBLY ELBOW PAD 9.5" CUTOUT
25	B5532	ASMBLY KNEE MULTI-ADJ ZING 2 4.25"	75	Y50160	ASSEMBLY ELBOW PAD 11" CUTOUT
26	B5534	ASMBLY KNEE MULTI-ADJ ZING 2 5"	76	Y5982	ASSEMBLY ELBOW PAD 13"
27	B5570	ASMBLY LEG PADS ZING 2 TT 9"L	77	A5678	ASMBLY CALF PAD 4.5" X 4.5"
28	B5572	ASMBLY LEG PADS ZING 2 TT 12"L	78	B5536	ASMBLY CALF PAD 5.5" X 5.5"
29	B5574	ASMBLY LEG PADS ZING 2 TT 15"L	79	B3049	SLIP COVER 6" LATERAL PAD
30	B3012	PAD PLANAR 16" W X 15" L	80	A5731	ASMBLY KNEE DEPTH STOP
31	B3015	PAD PLANAR 16" W X 22" L	81	NG3016	NON-STRETCH X-STYLE CHEST VEST 11.5" X 9.5" W
32	B3018	PAD PLANAR 16" W X 25" L	82	NG30322	NON-STRETCH X-STYLE CHEST VEST 14.5" X 10.5" W
33	B5588	ASMBLY LAT GUIDES 7-11" ZING 2 TT	83	NG30320	NON-STRETCH Y-STYLE CHEST VEST 17.5" X 11.5" W
34	B5590	ASMBLY LAT GUIDES 10-16" ZING 2 TT	84	NG30324	NON-STRETCH Y-STYLE CHEST VEST 20.5" X 12.5" W
35	B5584	ASMBLY HIP GUIDES 7-13" ZING 2 TT	85	B5646	ASMBLY POSTERIOR KNEES 5" ZING 2
36	B5586	ASMBLY HIP GUIDES 10-16" ZING 2 TT	86	B5648	ASMBLY POSTERIOR KNEES 7" ZING 2
37	A3062	POSITIONING BELT ADJUSTABLE 25 - 84"	87	B5650	ASMBLY POSTERIOR KNEES 8" ZING 2
38	B3015	PAD PLANAR 16" W X 22" L	88	B5656	LAT GUIDES 7-11" ZING 2 TT
39	B5592	PADDED STRAP 54" L W/ 8" L PAD	89	B5656	ASMBLY LAT GUIDES 10-16" ZING 2 TT
40	B5594	PADDED STRAP 64" L W/ 10" L PAD			
41	NG30021	Y-STYLE CHEST VEST 20.5" X 12.5" W			
42	NG30056	X-STYLE CHEST VEST 14.5" X 10.5" W			
43	NG30170	X-STYLE CHEST VEST 11.5" X 9.5" W			
44	NG30171	Y-STYLE CHEST VEST 17.5" X 11.5" W			
45	B5582	ASMBLY PLANAR HEAD ZING 2 TT			
46	Y5626	ASMBLY HEAD SUPPORT XS			
47	Y5628	ASMBLY HEAD SUPPORT SMALL			
48	Y5630	ASMBLY HEAD SUPPORT LARGE			
49	A5586	ASMBLY HEAD REST CONTOUR SM			
50	B3038	SLIP COVER FOR B3011			

Parts Detail- Prone



ITEM NO.	PART NO.	NAME	ITEM NO.	PART NO.	NAME
1	B5406	ASMBLY ZING 2 PRONE BASE GAS	51	B3050	SLIP COVER FOR B3046
2	B5608	ASMBLY ZING 2 PRONE BASE EL	52	A3088	SLIP COVER F2F PRONE 7'H X 12' W
3	B6508	ASMBLY CASTERS ZING SIZE 2	53	B3051	SLIP COVER FOR B3047
4	B6512	ASMBLY LEGS BASIC ZING 2	54	B5627	ASMBLY LATS ZING 2 PRONE
5	B5514	ASMBLY LEGS ABDUCTION ZING 2	55	B5628	ASMBLY TRAY ZING 2 PRONE BLK
6	B5640	ASMBLY DIAL LIFT PRONE ZING 2	56	B5630	ASMBLY TRAY ZING 2 PRONE CLEAR
7	A5614	ASMBLY GAS SPRING LOCK OUT	57	A5610	ASMBLY CHEST STRAP AP5
8	B5510	ASMBLY CASTERS DIRECTIONAL ZING 2	58	B5542	POSITIONING STRAP W/8" X 13" W PAD
9	B5612	PLATFORM FOOTPLATE ZING 2 PRONE	59	A3011	POSITIONING BELT ADJUSTABLE 25 - 38"
10	B5614	FOOT PLATE BRACKETS ZING 2 PRONE	60	T30066	POSITIONING BELT ADJUSTABLE 34.5 - 44.5"
11	B5616	ASMBLY FOOT MULTI-ADJ 7.75" X 3.25"	61	T50156	ASSEMBLY ELBOW PAD 9.25" CUTOUT
12	B5618	ASMBLY FOOT MULTI-ADJ 9.75" X 4"	62	T50160	ASSEMBLY ELBOW PAD 11" CUTOUT
13	B5620	ASMBLY FOOT MULTI-ADJ 11.75" X 5"	63	Y5582	ASSEMBLY ELBOW PAD 13"
14	A5542	FOOT HOLDERS 7.75" L X 3.25" W	64	NG50042	SUPPORT GRIP OPTION
15	A5544	FOOT HOLDERS 9.75" L X 4" W	65	B5632	HANDLE TRAY ZING 2 PRONE
16	B5526	ASMBLY FOOT PLATES 11.75" X 5"	66	B5634	HANDLE NO-TRAY ZING 2 PRONE
17	T50082	ASMBLY FOOT STRAP SECURE PED	67	T30093	PADDED SLIP COVER LARGE TRAY
18	Y5638	ASMBLY FOOT STRAP SECURE 15"L	68	B0809	TOOL POUCH
19	T50060	ASMBLY FOOT STRAP PED	69	B0246	SEAT ANGLE LOCATOR
20	Y5636	ASMBLY FOOT STRAP 15"L	70	B3049	SLIP COVER 6" LATERAL PAD
21	NG50505	FOOT STRAPS 21"L	71	B5638	ASMBLY FACE PROMPT ZING 2 PRONE
22	NG50506	SECURE FOOT STRAPS 21"L	72	A5710	ASMBLY SLIP COVERS FACE PROMPT 9"
23	B5528	ASMBLY CALF PAD W/STRAP ZING 2	73	A5731	ASMBLY KNEE DEPTH STOP
24	B5636	ASMBLY KNEE STRAP PRONE SIZE 2	74	B5657	ASMBLY LATS ZING 2 PRONE FLAT
25	B5622	MULTI-ADJ KNEE PADS 3.25" PRONE			
26	B5624	MULTI-ADJ KNEE PADS 4.25" PRONE			
27	B5626	MULTI-ADJ KNEE PADS 5" PRONE			
28	B5538	ASMBLY HIP GUIDES 7"-13" ZING 2			
29	B5540	ASMBLY HIP GUIDES 12"-18" ZING 2			
30	B3000	PAD PELVIC 11" W ZING 2			
31	B3002	PAD PELVIC 13" W ZING 2			
32	B3004	PAD PELVIC F2F 11" W ZING 2			
33	B3006	PAD PELVIC F2F 13" W ZING 2			
34	B3025	SLIP COVER FOR B3000			
35	B3026	SLIP COVER FOR B3002			
36	B3027	SLIP COVER FOR B3004			
37	B3028	SLIP COVER FOR B3006			
38	A3006	PAD PLANAR 5" X 7"			
39	A3007	PAD PLANAR 5" X 9"			
40	A3041	PAD PLANAR 7" X 7"			
41	A3042	PAD PLANAR 7" X 9"			
42	A3079	PAD F2F PRONE 5" H X 12" W			
43	B3046	PAD F2F PRONE 6" H X 13" W			
44	A3081	PAD F2F PRONE 7" H X 12" W			
45	B3047	PAD F2F PRONE 10" H X 13" W			
46	A3028	SLIP COVER PLANAR 5" X 7"			
47	A3029	SLIP COVER PLANAR 5" X 9"			
48	A3045	SLIP COVER PLANAR 7" X 7"			
49	A3046	SLIP COVER PLANAR 7" X 9"			
50	A3086	SLIP COVER F2F PRONE 5" H X 12" W			

AltimateMedical

262 West 1st St.
Morton, MN 56270 USA
Toll Free: 800.342.8968 or 507.697.6393
Fax Free: 877.342.8968 or 507.697.6900
email: info@easystand.com
easystand.com

Assembly Manual



Medical Product Service GmbH
Borngasse 20
35619 Braunfels
Deutschland



MPS Medical Product Service UK Ltd
Northgate House
Northgate Street
Devizes
Wiltshire England SN10 1JX



MPS Medical Product Service Switzerland, CO/Accumed Sagl
Morbio Inferiore
Viale Serfontana 10
CH-6834 Switzerland



Standing technology should only be used under the guidance of a physician with recommendations for standing program protocol and any medical precautions. Standing programs should be monitored by the attending therapist. AMI maintains a policy of continual product improvement and reserves the right to change features, specifications, and prices without prior notification. Check with AMI for latest info.
FORM ZING2ASSEM 120523 REV A Copyright © 2023 Altimate Medical, Inc. All rights reserved. Printed in the U.S.A.